



## Hon Goldwing/Tour Puddle/Courtesy Light Kit

This sheet must be read completely to:

1. Provide assistance/clarification to the installer, customer, end user or others.
2. Avoid causing injury or death to installer, customer, end user, or others.
3. Prevent damage to vehicle and/or accessory or other.

HEY YOU! Please, please, please read the instructions completely prior to installation. 90% of questions we receive could be answered simply by reading ALL the instructions before installing anything. If you have any question or problem during the installation, please contact us as necessary. Phone support will always provide the quickest response. Installation of this product implies your agreement with our sales, warranty, exchange and return policies found on our website.

You can thank the lawyers for this next bit of fun. With that said, lets go!

Installer: Pretty please, give this sheet to the customer after reading it.

It is virtually impossible for us to be able to address every possible situation an installer or user will encounter. This requires both to exercise due diligence and to apply some level of common sense. AKA...no 'hold my beer and watch this' type stuff.

Important Information in our instructions will be provided in the following manner:

SHOP TIP: literally great info we have gathered from hands-on installs or customer feedback.

NOTE: important information regarding the installation. Pay attention.

CAUTION: failure to follow instructions could result in damage to vehicle and/or accessory. Really pay attention.

WARNING: failure to follow instructions could result in injury/death of operator and/or passenger/others. For Pete's sake, PAY ATTENTION!

NOTE:

1. "Left", "Right", "Front" and "Rear" are described from the seated position of the vehicle. Vroom vroom.
2. Check local laws regarding the use of auxiliary lighting and electronics. Don't be 'that guy'.
3. Use of owners manual or service manual is recommended for installation. Sorry....more reading.
4. If so equipped, place motorcycle on it's centerstand on solid, level ground or engage parking brake. Do it like Mom is watching.

CAUTION:

1. When adding electrical accessories, always disconnect the battery and properly fuse new electronics.
2. DO NOT let the smoke out of the part. All electronics operate on smoke....when released, electronics are dead.

WARNING:

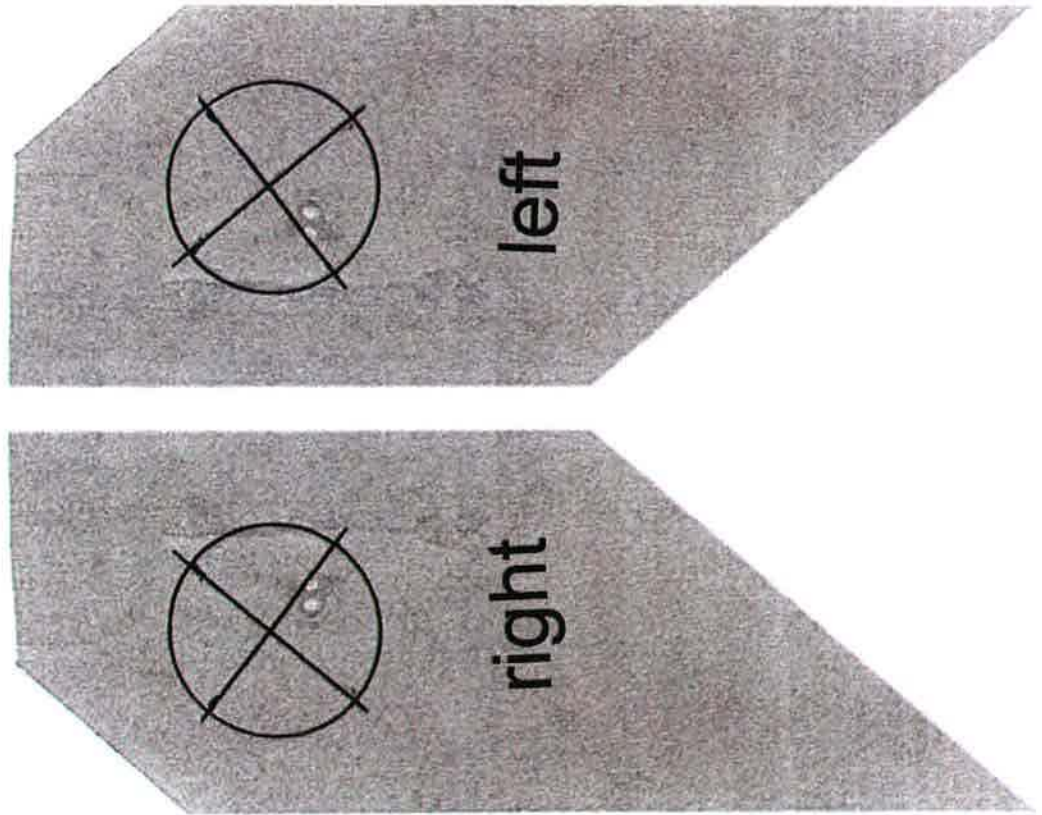
1. Allow the vehicle to cool prior to installation & when operating engine, allow adequate ventilation. Yep.
2. NEVER modify the kit in ANY manner. Doing so voids warranty and places all liability on the installer and/or user. Nope.
3. Never route wires or install components that interfere with the operation of the steering, suspension, brake/clutch/gas lever/pedal/grip or any other operational function of the vehicle. Duh.
4. Never allow your accessories to cause distractions to remove your focus off the vehicles operation. Never forget that this is a high risk sport - don't make it a higher risk when you don't have to. Major duh.
5. Never allow your accessories to cause distractions to others on the road. Super sized duh.

### Part Listing

- 2 light with connector.

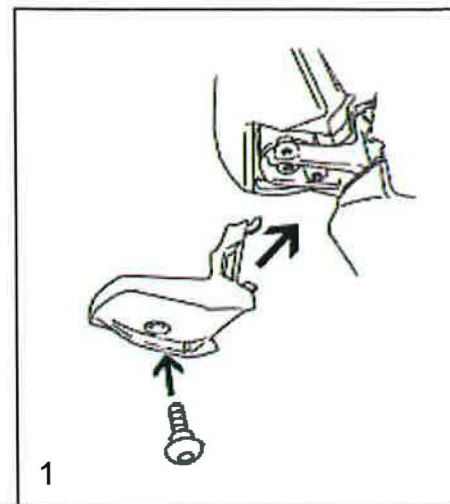
### Tools / Supplies Required

- drill  
20mm bit  
allen srench set  
90 degree pick tool  
8mm socket with extenstion.

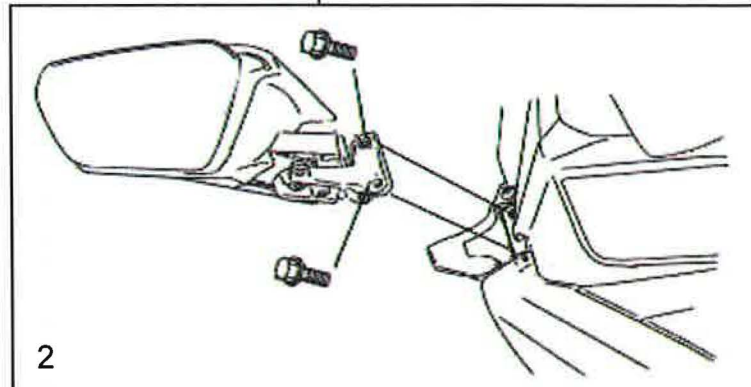


Note: you will need to repeat these steps on both sides for the full installation.

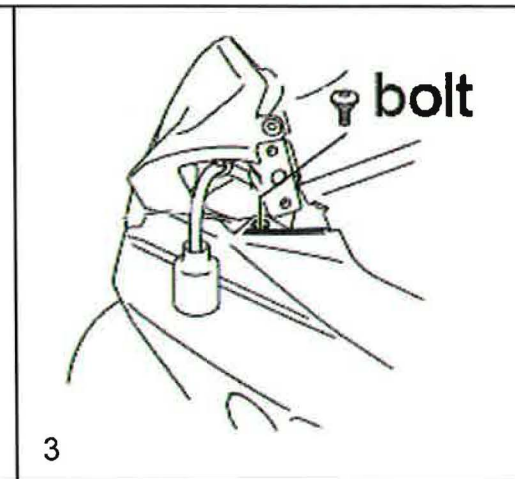
1. Remove the mirror bottom cover. It's held in place by one allen head screw. Once the screw is removed, open the mirror by pushing it forward. Then slide the cover down. Note the 2 tabs and slots where it engages the dash. See picture 1.



2. With the cover removed, you have exposed the 2 bolts that hold the mirror in place. Using your 8mm socket, remove the 2 bolts. Be sure to support the mirror when removing the second bolt so that your mirror does not fall. See picture 2

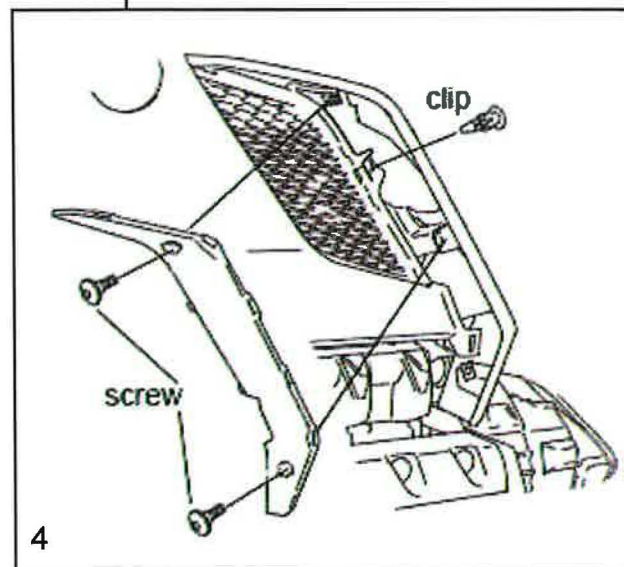


3. Disconnect the mirror. Pull the wiring all the way out of the bike. Push the rubber boot back to expose the connector. Depress the tab and pull the 2 connectors apart.



Note: to remove the clips from the next several steps, use your 90 degree pick to to press in the center of the clips. Once it's pushed in, it can be removed.

4. Remove the outer air deflector. This is the piece held in place by two screws as shown in pic 4. Once the screws are removed, you will need to gently pry / twist the panel out from it's location. Note that there are tabs on the outer edge, the inner edge and one large locating tab on the backside of the deflector. That large tab will have to be engaged first when reassembling the panel.



5. Remove inner fairing cowl. This panel is held in place by 2 screws and 5 clips as shown in pic 5.

6. Remove the clip from the inside of the fairing that holds the outer fairing panel in place as shown in pic 6.

7. Remove outer fairing panel. Pull at the point indicated by the arrows. This will release the tabs inserted into the grommets at the rear. Once they are free, gently push the panel towards the front of the bike to disengage the tabs at the headlight.

8. Drill your holes. Cut out the supplied templates on the last page. Using painters tape, align and stick them to your bike. Mark the center of the 'cross hairs' using a pointed tool. Remove the template and drill a 20mm hole.

9. Mount light. Insert the rubber sleeve into the hole from the outside. Insert the connector into the rubber sleeve and then push the light into the rubber sleeve until it is seated. It may not sit completely flush in some cases.

10. Connect light. Locate the black 2 pin connector as shown in pic 7. Remove the dead plug and discard. Connect the light to this plug. Make sure the wire is out of the way of the outer fairing being reinstalled.

11. Your lights will come on after you turn the ignition off or when you approach the bike with your key fob on your person and it is on. Lights will stay illuminated for approximately 60 seconds. Test your lights.

Note; to 'reset' the clips, hold the base and push end of the clip back towards the base. Once it has gone beyond the end of the base, it is reset and ready to use.

12. Begin the reassembly process by installing the outer fairing panels. Note you will need to insert the round tab on the front of the panel first. Then slide the clips from the panel into the tabs on the side of the headlight. If the panel is not flush against the headlight, it is not installed correctly. It may take several attempts. Once flush, push the rear of the panel shown by the arrows in pic 7 to engage the pins.

Insert the clips shown in pics 4 & 5. Then reinstall the outer air deflector in pic 4 by engaging the large tab on the rear of the panel first. Then twist the panel to engage the tabs on the outer edge. You may have to push the panel in to engage the inner tabs.

Reinstall the inner fairing cowl from pic 5. Then reinstall the mirror making sure you connect the light and slide the rubber boot back over the connector. Once the mirror is in place, reinstall the mirror bottom cover.

