

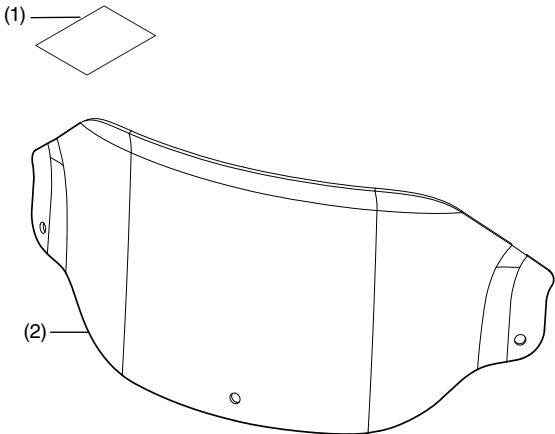


# INSTALLATION INSTRUCTIONS

Accessory	Application	Publication No.
SHORT WINDSCREEN P/N 0SR70-MJG-200	GL1800B (F6B)	MII 14545
		Issue Date
		May 2013

Honda Dealer: Please give a copy of these instructions to your customer.

## PARTS LIST



No.	Description	Qty
(1)	Installation Instruction URL	1
(2)	Short Windscreen	1

## TORQUE CHART

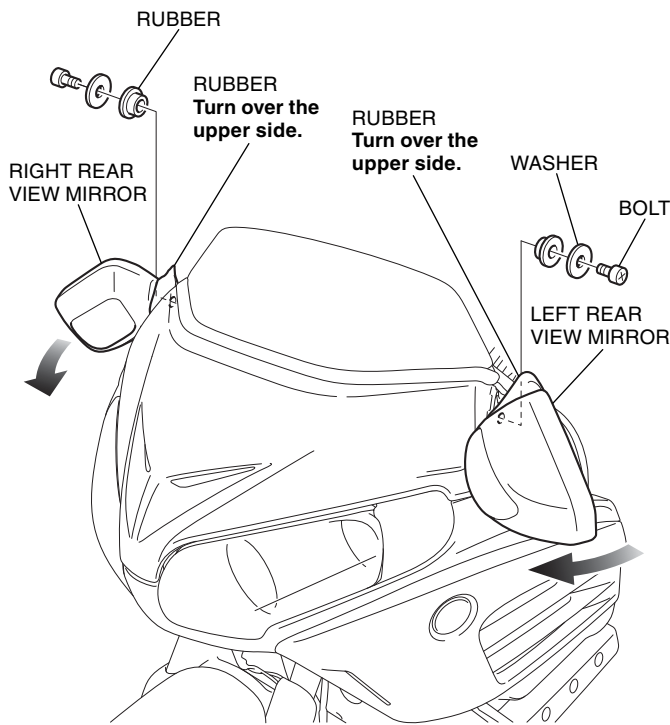
Refer to the Service Manual for the torque values of the removed parts.

## USE AND CARE INFORMATION

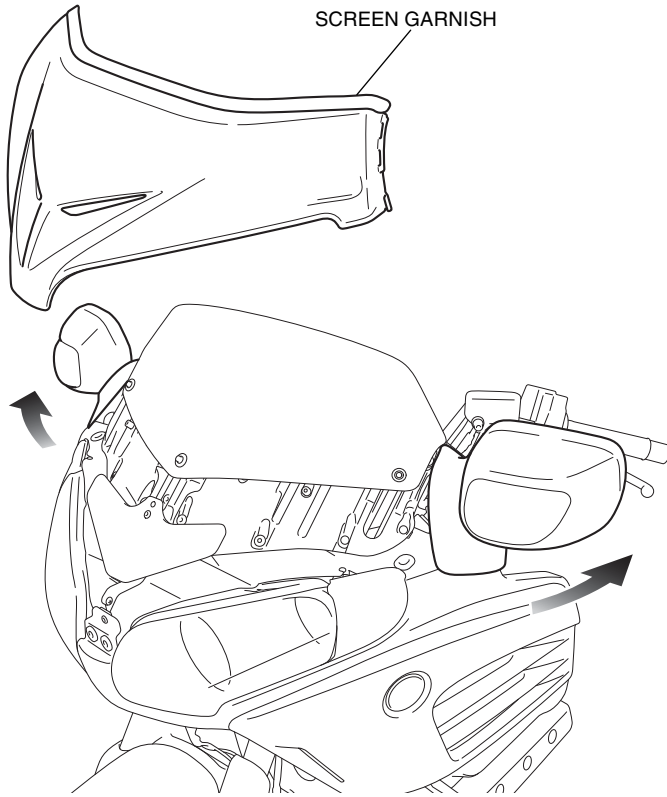
- Replace this accessory with a new one if it is damaged or discolored excessively.
- When this accessory becomes dirty, rinse it thoroughly with cool water to remove loose dirt, then wipe with a clean cloth or sponge. Do not use a brush to clean this accessory as it may scratch the surface.
- Never use petroleum solvents such as gasoline, thinner, or benzene to clean this accessory. Also do not use acid or alkaline cleaners to clean this accessory.
- Wipe up spilled brake fluid at once as it may damage the plastic surface.
- If the motorcycle is left covered for an extended period of time, park in the shade. Parking a covered motorcycle in direct sunlight can cause the windscreen to deform due to heat buildup under the cover.

## INSTALLATION

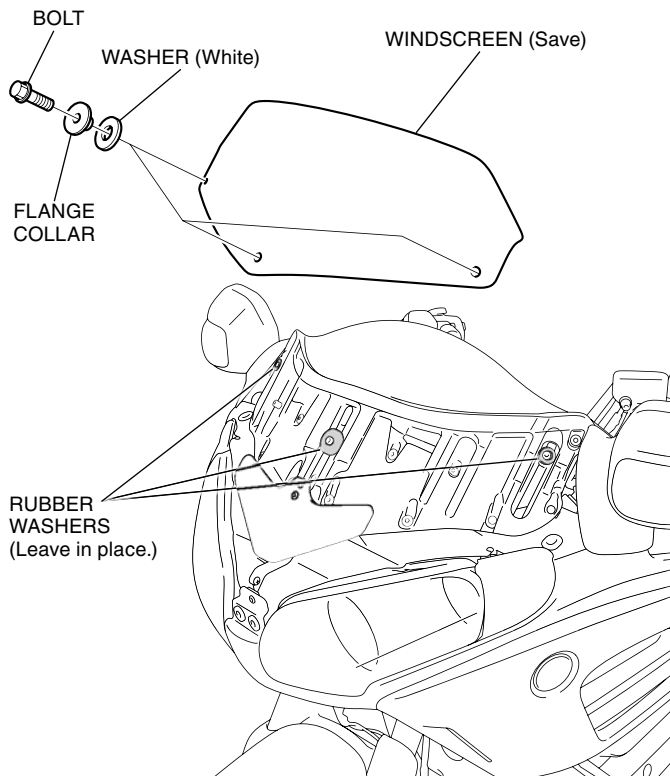
1. Fold the right and left rear view mirrors forward and remove the indicated parts as shown.



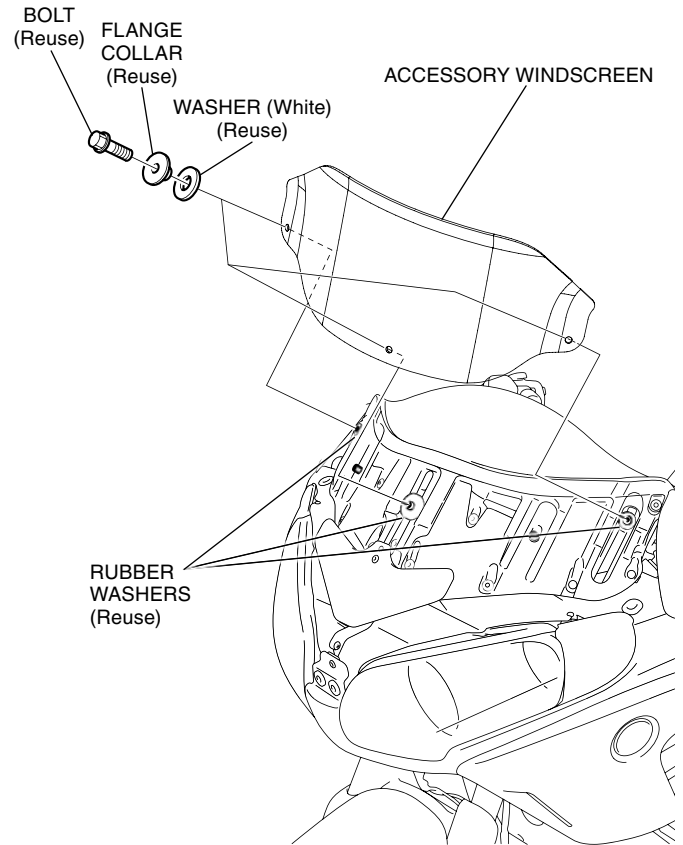
2. Return the left and the right mirrors to their original positions and remove the screen garnish as shown.



3. Remove the windscreen as shown.



4. Install the accessory windscreen as shown.



5. Install the motorcycle's parts in the reverse order of removal.