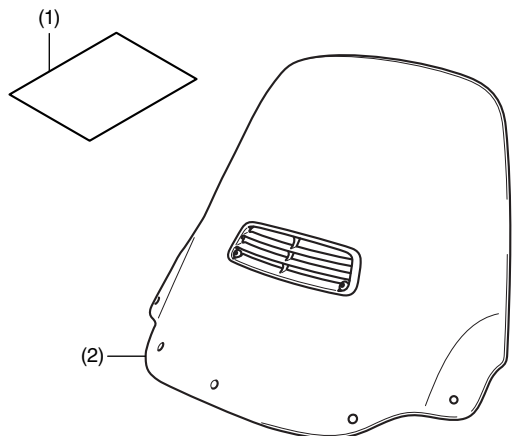


## PARTS LIST



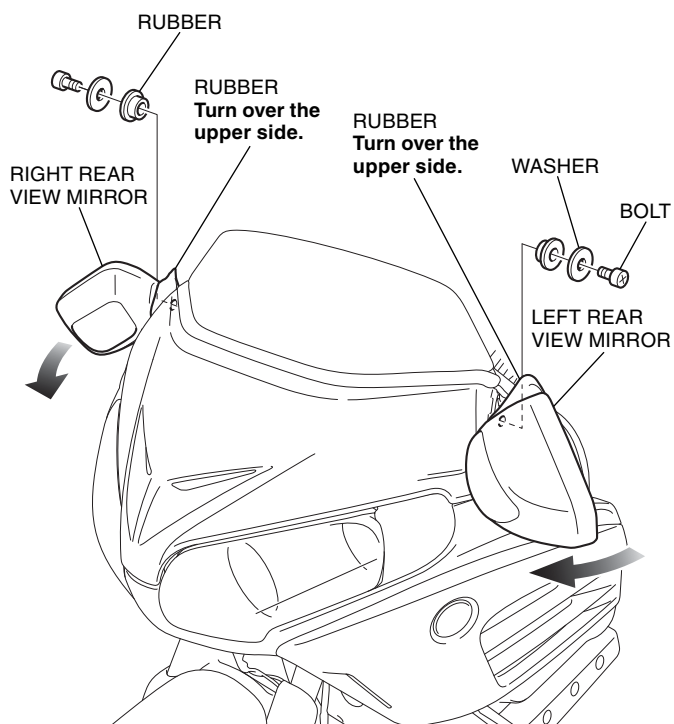
No.	Description	Qty
(1)	Installation Instruction URL	1
(2)	Windscreen	1

## TORQUE CHART

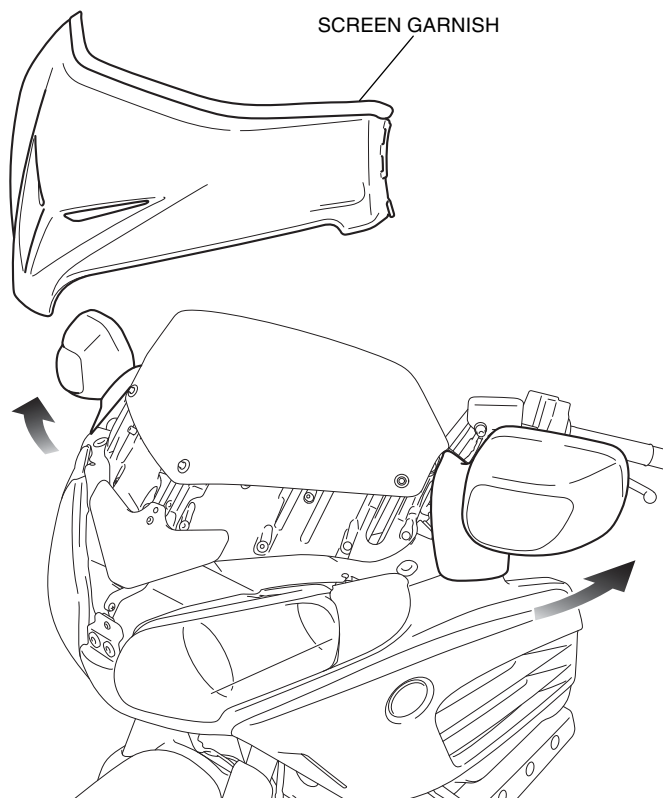
Refer to the Service Manual for the torque values of the removed parts.

## INSTALLATION

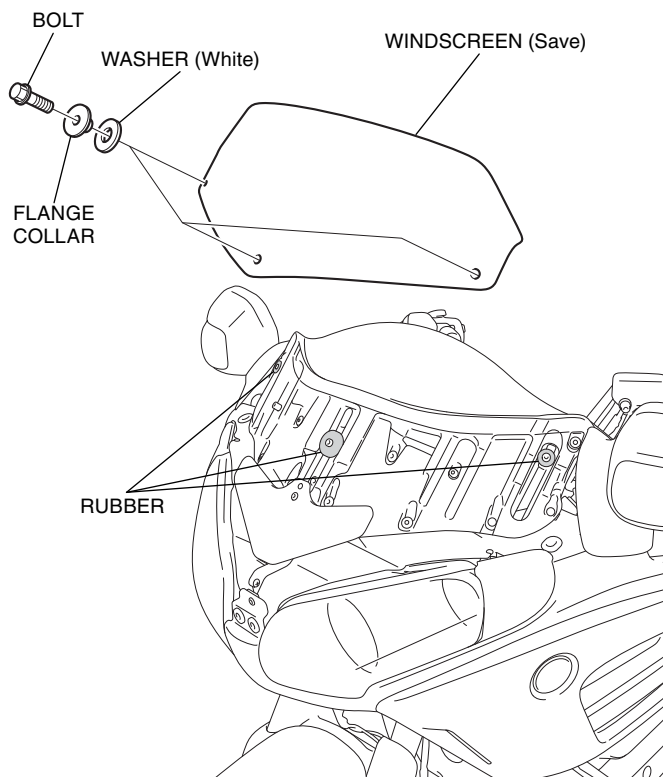
1. Fold the right and left rear view mirrors forward and remove the indicated parts as shown.



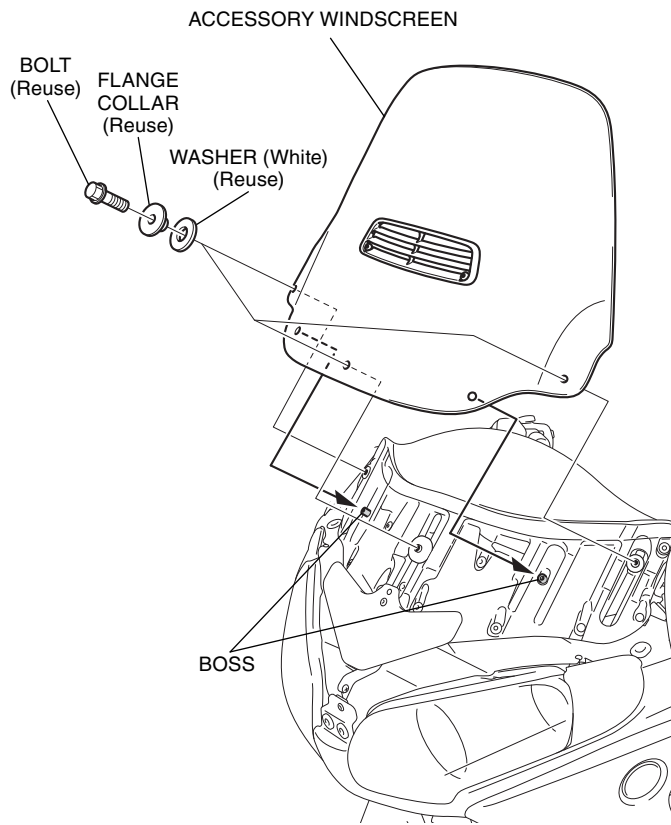
2. Return the left and the right mirrors to their original positions and remove the screen garnish as shown.



3. Remove the windscreen as shown.



4. Install the accessory windscreen as shown.



5. Install the motorcycle's parts in reverse order of the removal.