

Copyright © 2013 by Big Bike Parts, Inc. No part of this instruction sheet may be reproduced without the written permission of Big Bike Parts, Inc.

**PART NO. 52-830
& 52-830SK**

TOUR LUGGAGE RACK

11-14/2013

HONDA GL1800/F6B

TOOLS NEEDED:	10 MM WRENCH	12MM WRENCH	6MM ALLEN WRENCH (WITH OEM BACKREST)	THREAD LOCK COMPOUND
HARDWARE INCLUDED:	1 - RACK 2 - 19MM LONG SPACERS 2 - 12MM LONG SPACERS	2 - M8-1.25 X 35MM LONG HEX BOLT 2 - M8-1.25 X 40MM LONG HEX BOLT 4 - M6-1.0 X 15MM LONG HEX BOLT	2 - FLAT FRONT MOUNT 2 - BENT REAR MOUNT 4 - M6 LOCK WASHER	

NOTE: THREAD LOCK COMPOUND SHOULD BE USED ON ALL HARDWARE

PLEASE READ THROUGH AND UNDERSTAND THESE INSTRUCTIONS BEFORE BEGINNING.

IF YOU *DO NOT* HAVE AN OEM (HONDA) BACKREST START ON STEP 2.

INSTALLATION

1. USING A 6MM ALLEN WRENCH REMOVE THE FOUR SOCKET HEAD BOLTS HOLDING THE BACKREST TO THE BACKREST MOUNTS. THE BOLTS WILL NOT BE REUSED. FOLLOW THE STEPS BELOW KEEPING THE BACKREST IN ITS ORIGINAL POSITION WITH THE NEW RACK MOUNTING ON TOP OF IT.
2. PUT A M8 X 40MM BOLT THROUGH THE LARGE HOLE IN THE FLAT FRONT MOUNT. THEN SLIDE A 19MM LONG SPACER OVER THE BOLT. SEE FIG. 1
3. INSTALL THE M8 X 40MM BOLT INTO ONE OF THE FRONT MOUNTING HOLES ON THE BIKE AND TIGHTEN FINGER TIGHT.
4. REPEAT STEPS 2 AND 3 AND INSTALL THE OTHER FRONT MOUNT.
5. PUT A M8 X 35MM BOLT THROUGH THE LARGE HOLE IN THE BENT REAR MOUNT. THEN SLIDE A 12MM LONG SPACER OVER THE BOLT. SEE FIG.2 AND NOTE THE DIRECTION OF THE BENT REAR MOUNT.
6. INSTALL THE M8 X 35MM BOLT INTO ONE OF THE REAR MOUNTING HOLES ON THE BIKE AND TIGHTEN FINGER TIGHT.
7. REPEAT STEPS 5 AND 6 AND INSTALL THE OTHER REAR MOUNT.
8. INSTALL THE RACK USING THE FOUR M6 X15MM LONG HEX BOLTS AND LOCK WASHERS. THE BOLTS GO THROUGH THE SLOTTED HOLES ON THE FRONT AND THE REAR MOUNTS FROM THE BOTTOM. SEE FIG. 3. TIGHTEN FINGER TIGHT.
9. USING A 12MM WRENCH TIGHTEN THE FOUR M8 HEX BOLTS.
10. ALIGN THE RACK TO THE DESIRED POSITION AND USING A 10MM WRENCH TIGHTEN THE FOUR M6 HEX BOLTS.

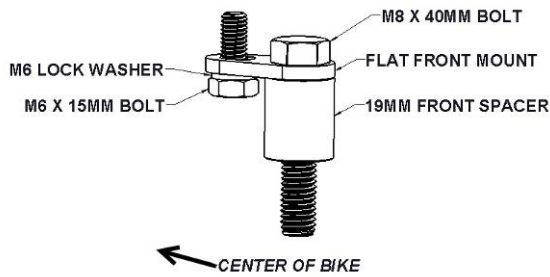


FIG. 1

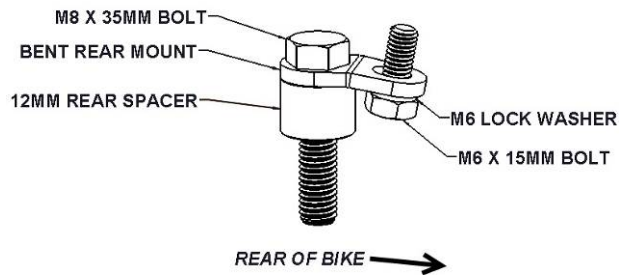


FIG. 2

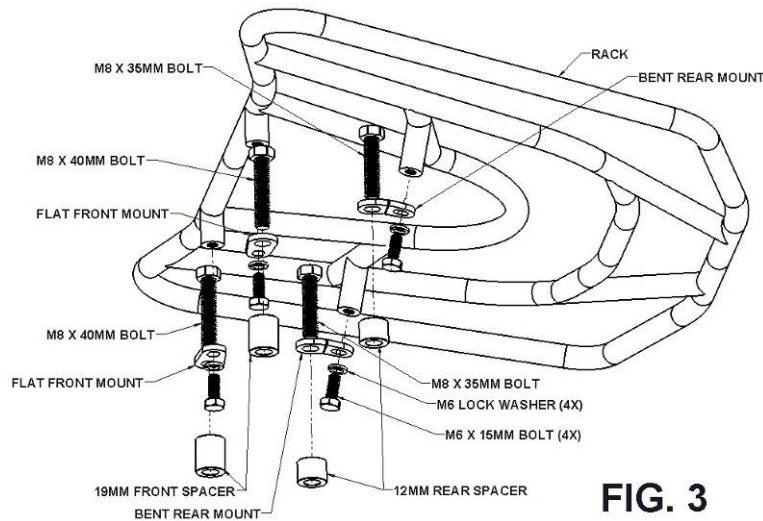


FIG. 3

Scan code with
your smartphone
to view video



