



GEN 2 TRIM LINE CYBERCHARGER® PHONE HOLDER

- WARNING** This indication alerts you to the fact that ignoring the contents described herein can result in potential serious injury or death if not followed.
- CAUTION** This indication alerts you to the fact that ignoring the contents described herein can or will result in material damage and/or personal injury.
- ATTENTION** This indication alerts you to the fact that if you ignore this detail you will affect the performance or functionality of the product.

All Ciro products are designed for "easy assembly" and/or "plug and play". We recommend a competent mechanic install our products, using standard mechanical procedures to assure a safe and successful installation. Read completely and understand the instructions prior to starting installation.

NOTE: Ciro products are designed and manufactured under very strict quality control. Ciro warrants that products sold to the original purchaser shall be free from any defects in materials and workmanship for a period of 3 (three) years from the date of purchase, and a limited lifetime warranty against LED failure. Ciro will have no obligation if the customer cannot show proof of purchase. Warranty will not be granted unless the part is properly installed, unmodified and maintained. Ciro will not be liable for any consequential and incidental damages, including labor, or non-Ciro products. Please visit Ciro3d.com for our complete warranty policy.

Cybercharger phone holder wireless charging information:

- Smartphone makers recommend their phones are used in temperatures between 32°F and 95°F. Outside of that range the phone performance (including battery performance, thus charging) can become irregular.

-Charging rates are regulated by the device being charged. The Cybercharger phone holder's maximum charging rate is 15W.

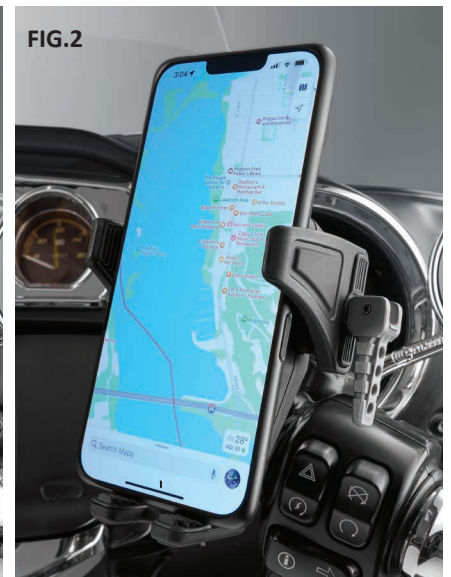
-If you have a case on your phone, check with the case supplier to verify it is actually wireless charging compatible. Cases thicker than 5mm or those that include metal or magnets in them may limit or prevent wireless charging, and should not be used with the Cybercharger phone holder.

-The charger will use a standby current of approximately 20mA. If the vehicle has a healthy battery the standby current draw will not affect battery performance. If the vehicle is likely to sit for more than 2 weeks unplug the Cybercharger phone holder, or use a suitable battery maintainer/tender.

-It is normal for the phone and/or charger to become warm during use. It should not become too hot to touch; if it feels uncomfortably hot, please discontinue use and contact Ciro. It may be a problem with an incompatible case or excessive gap between the phone and coil.

Included Items:

- Cybercharger phone holder assembly
- Battery power harness



The arms of the Cybercharger phone holder may be positioned in the up or down position, depending on the needs of your phone's buttons. (Fig's 1, 2) The cam lever arm can also be positioned on either side of the Cybercharger phone holder. Follow directions on the following page under fitment and usage.

NOTE: None of case screws shown in figure 3 need be removed to change position of the arms or the cam lever. Only the short screw, (b) needs to be loosened to adjust the leg, (c)

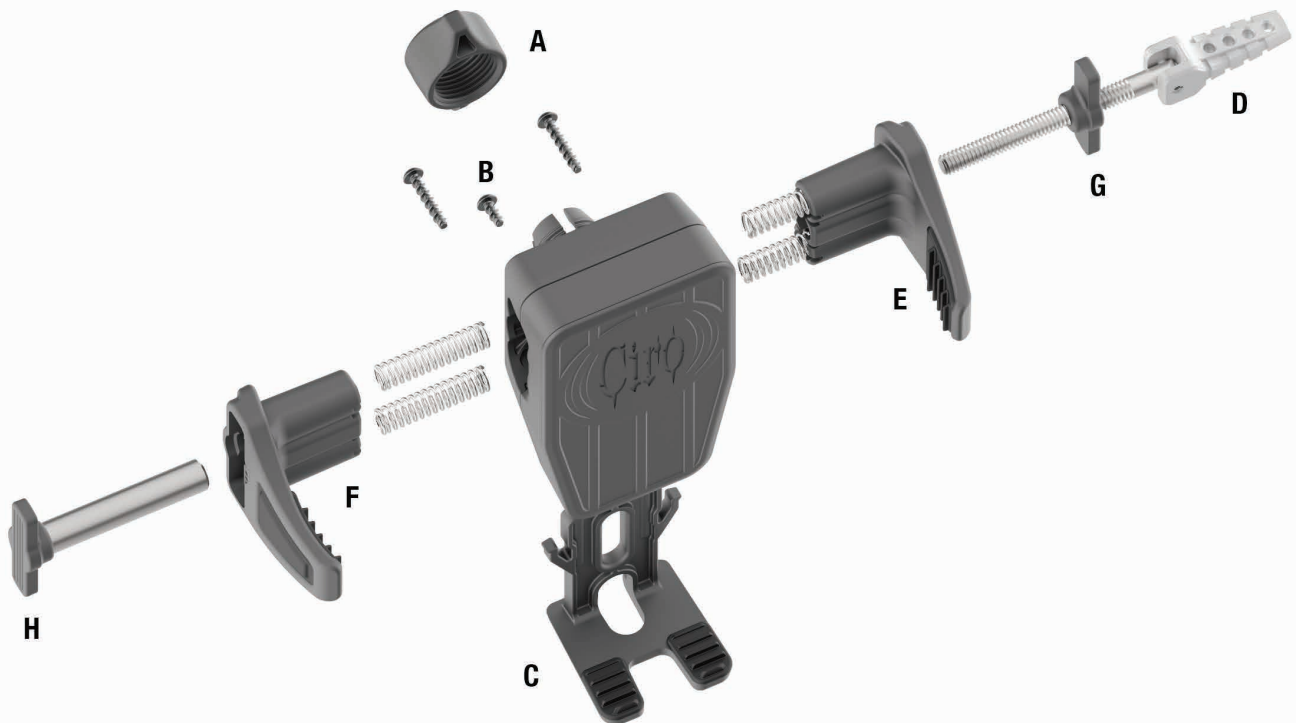
Cybercharger phone holder installation: *Install the Ciro accessory ball mount according to the instructions provided with that product.*

1. Remove the large plastic nut (a) from the back of your Cybercharger phone holder. Slide the nut over the ball mount .
2. Pop the Cybercharger phone holder onto the ball and thread the nut onto it. Adjust the angle and then tighten the nut. **To change the position loosen the nut, move the Cybercharger phone holder to the desired angle and then tighten the nut.**
3. Attach red wire to positive battery terminal and the black wire to the negative battery terminal. Then route the power cable to the mounted Cybercharger phone holder. Plug the power cable into the bottom of the Cybercharger phone holder. It is also acceptable to connect the harness to a switched power source on the vehicle. Use a suitable wiring diagram or test light to find both a 12V+ and a negative ground source, The phone holder will only charge when the switch is ON if installed in this manner.

Cybercharger phone holder fitment and usage:

- The phone holder includes an adjustable bottom support leg meant to provide a durable, repeatable location for most popular phones. You may need to loosen the lower most locking screw (b) and adjust the leg (c) to align the wireless charging coil to your phone. All phones are slightly different and final placement will need to be determined by the user. The locking screw should then be tightened to prevent unintended movement. FIG.3 (b)(c)
- Do not overly tighten the clamping cam lever (d) before locking into place. Excessive force could lead to phone damage.
- The clamping cam lever (d) can be moved to the opposite side of the Cybercharger phone holder. Hold the side arms (e)(f) together and thread the lever all the way out. Remove the clamping plate (g) and female thread plate (h). Reinstall them on the opposite side. Thread the cam lever back into place in its new position.

FIG.3



FCC STATEMENT Changes or modifications not expressly approved by the party responsible for compliance could void the user's authority to operate the equipment. This equipment has been tested and found to comply with the limits for a Class B digital device, pursuant to Part 15 of the FCC Rules. These limits are designed to provide reasonable protection against harmful interference in a residential installation. This equipment generates uses and can radiate radio frequency energy and, if not installed and used in accordance with the instructions, may cause harmful interference to radio communications. However, there is no guarantee that interference will not occur in a particular installation. If this equipment does cause harmful interference to radio or television reception, which can be determined by turning the equipment off and on, the user is encouraged to try to correct the interference by one or more of the following measures: Reorient or relocate the receiving antenna. Increase the separation between the equipment and receiver. Connect the equipment into an outlet on a circuit different from that to which the receiver is connected. Consult the dealer or an experienced radio/TV technician for help. This device complies with part 15 of the FCC rules. Operation is subject to the following two conditions (1) this device may not cause harmful interference, and (2) this device must accept any interference received, including interference that may cause undesired operation. This equipment complies with FCC radiation exposure limits set forth for an uncontrolled environment. This equipment should be installed and operated with minimum distance 20cm between the radiator & your body.