

INSTALLATION INSTRUCTIONS

L.E.D. TRUNK LIGHTBAR FOR GL1800

3264

THANK YOU FOR CHOOSING KURYAKYN!

Protect yourself and others from possible injury and property damage or loss. Pay close attention to all instructions, warnings, cautions, and notices regarding the installation, use, and care of this product.

⚠ WARNING THIS INDICATION ALERTS YOU TO THE FACT THAT IGNORING THE CONTENTS DESCRIBED HEREIN CAN RESULT IN POTENTIAL DEATH OR SERIOUS INJURY.

⚠ CAUTION THIS INDICATION ALERTS YOU TO THE FACT THAT IGNORING THE CONTENTS DESCRIBED HEREIN CAN RESULT IN MINOR OR MODERATE POTENTIAL INJURY.

NOTICE

THIS INDICATION ALERTS YOU TO THE FACT THAT IGNORING THE CONTENTS DESCRIBED HEREIN MAY NEGATIVELY AFFECT PRODUCT PERFORMANCE AND FUNCTIONALITY OR DAMAGE THE PRODUCT ITSELF OR THE PRODUCT TO WHICH IT IS BEING ATTACHED.

ENSURE THAT THE FOLLOWING PARTS HAVE BEEN INCLUDED IN THE KIT:

- | | | | |
|---|----------------|---|----------------------------------------|
| 1 | Trunk Lightbar | 3 | M5 x 0.8 x 10mm Button Head Cap Screws |
| 1 | Gasket | 3 | M5 Flat Washers |
| 2 | Alcohol Pad | 8 | 6" Cable Ties |
| | | 6 | Cable Tie Mounts |

YOU WILL ALSO NEED:

Metric hex wrench set, Phillips screw driver, electric drill, 11/64" drill bit, 15/64" drill bit, 7/16" drill bit, masking tape, blue Loctite, clean rag and warm soapy water

NOTICE

THESE INSTALLATION INSTRUCTIONS CONTAIN IMPORTANT INFORMATION. ENSURE THE END USER RECEIVES THIS COPY AND IS AWARE OF ITS IMPORTANCE FOR FUTURE USE.

NOTE: THIS PART REQUIRES KURYAKYN WIRING ADAPTER P/N 3268 (SOLD SEPARATELY) FOR PLUG & PLAY INSTALLATION.

NOTICE

THIS PART WILL REQUIRE DRILLING INTO OEM PARTS. BE SURE TO MEASURE TWICE, DRILL ONCE, AND ALWAYS DOUBLE CHECK THE REFERENCE MARKS MADE BEFORE DRILLING.

⚠ WARNING

A FACTORY SERVICE MANUAL WILL BE HELPFUL IN PERFORMING THIS INSTALLATION. DO NOT ATTEMPT TO PERFORM THIS INSTALLATION IF YOU ARE NOT CONFIDENT IN YOUR ABILITY TO COMPLETE ALL OF THE STEPS IN THE PROCEDURE; CONSULT A TRAINED TECHNICIAN. IMPROPER INSTALLATION COULD RESULT IN SERIOUS INJURY OR DEATH.

STEP 1 Read and understand all steps in the instructions before starting the installation. Park the motorcycle on a hard, level surface and turn off the ignition. Let motorcycle cool.

STEP 2 Refer to PIC 2. Open the saddlebags to remove the side covers. Unfasten, disconnect, and remove the seat. Set the seat, side covers, and all hardware aside, they will be reused.

STEP 3 Remove the main fuse.

STEP 4 Refer to PIC 3. Locate and disconnect the left and right saddlebag sub harness connectors.

Note: Refer to your motorcycle's service manual for assistance.



PIC 1



PIC 2



PIC 3

KURYAKYN.COM

INSTALLATION INSTRUCTIONS

L.E.D. TRUNK LIGHTBAR FOR GL1800

3264

-CONTINUED-

STEP 5 Refer to PIC 4. Locate the Wiring Adapter Kit (P/N 3268, sold separately). Connect the left and right adapter to the corresponding saddlebag sub harness connectors that were disconnected in Step 4.



STEP 6 Locate provided Trunk Lightbar. Determine which plug is the left (brake side) and right (clutch side). Connect the left light to a left wiring adapter connector and the right light to a right wiring adapter connector.

STEP 7 Reinstall main fuse and test lights for proper run/turn/brake operations. Disconnect wires after operational testing. Set them aside for the time being. Remove main fuse.

STEP 8 Refer to PIC 5. On the inside of the trunk, unfasten the arm rests and passenger backrest from the trunk. Disconnect the wiring harness from the backrest and remove the backrest from the trunk. Apply a small amount of blue Loctite to the hardware that was removed. Set hardware and backrest aside, they will be reused.



STEP 9 Refer to PIC 5. Disconnect the wiring harness from the rear trunk lid. Be careful not to break the tabs holding the wiring.

STEP 10 Refer to PIC 6. Remove hardware fastening the trunk lid to the trunk assembly. Remove the trunk lid and set it on a flat clean surface, in a well lit area, where you can easily work on it. Apply a small amount of Loctite to hardware. Set hardware aside, it will be reused.



Note: Pay attention to the hardware removed and where it was removed from.

STEP 11 Refer to PIC 7. Pay attention to the direction of the striker rods before removing. Unfasten and remove striker rods from the rear trunk lid. Apply a small amount of blue Loctite to hardware. Set hardware and striker rods aside, they will be reused.

STEP 12 Refer to PIC 7. Unfasten hardware connecting the inner trunk lid to the trunk lid. Remove the inner trunk lid from the trunk lid. Apply a small amount of Loctite to hardware. Set hardware aside, it will be reused.



NOTICE

MEASURE TWICE – DRILL ONCE. DOUBLE CHECK ALL REFERENCE MARKS MADE ON THE TRUNK LID BEFORE DRILLING. KURYAKYN WILL NOT PROVIDE WARRANTY COVERAGE ON PRODUCTS OR COMPONENTS DAMAGED AS A RESULT OF THIS INSTALLATION

INSTALLATION INSTRUCTIONS

L.E.D. TRUNK LIGHTBAR FOR GL1800

3264

-CONTINUED-

STEP 13 Refer to PIC 8. Apply masking tape to the outside of the trunk lid to the areas where it will be drilled through, to prevent the paint from chipping or flaking away. Be sure to cover the whole area, not just the drill points.

PIC 8

STEP 14 Refer to PIC 9 and 10. Locate provided trunk lightbar and gasket. Place the gasket on the back of the light, and then align the assembly with the back of the trunk lid. Once light is properly aligned, secure the gasket to the lid using masking tape. The top edge of the gasket should be aligned with the top edge of the trunk lid. Remove the light from the gasket.

Note: An additional set of hands may be helpful when taping the gasket to the lid.



PIC 9



PIC 10

STEP 15 Refer to PIC 10. Mark the center point of each open circle in the gasket, four (4) marked points total. Remove the gasket.

PIC 11

STEP 16 Refer to PIC 11. Drill a 11/64 inch hole all the way through the trunk lid at the four (4) marked points. Increase the drill bit to 15/64 inch and drill through all the holes.

STEP 17 Refer to PIC 11. Increase the top center hole to a 7/16 inch hole.

Note: The larger hole at the top is meant for the light's wires to go through.

STEP 18 Locate provided M5 screws and flat washers. Apply a small amount of blue Loctite to the threads of the screws. Place a washer on each of the screws.

STEP 19 Test fit that the M5 fasteners through the small holes, and the wires of the lightbar through the larger hole. If fasteners and/or wires do not fit in the drilled holes, remove items and make small adjustments to the holes. Test again. Repeat process until the fasteners and the wires fit into their respective drilled holes. **DO NOT OVER DRILL AND MAKE HOLES TOO LARGE!**

STEP 20 Located provided alcohol pads. Remove tape from outside of trunk lid. Thoroughly clean the trunk surface.



INSTALLATION INSTRUCTIONS

L.E.D. TRUNK LIGHTBAR FOR GL1800

3264

-CONTINUED-

STEP 21 Refer to PIC 12. Place the gasket on the backside of the lightbar and feed the wires of the lightbar through the large top center hole of the trunk lid. Align the assembly on the outside of the trunk lid.

STEP 22 Refer to PIC 13. On the inside of the trunk lid, align the mounting holes of the lightbar with the drilled holes of the lid. Secure it in place using the M5 screw and washer assemblies. Fully tighten hardware.

STEP 23 Refer to PIC 14. On the inside of the trunk lid route the wires around mounting holes and potential pinch points, and out towards the passenger backrest side of the lid. Use masking tape to secure the wires in place.

STEP 24 Refer to PIC 15. Locate OEM inner trunk liner and seven (7) inner trunk lid mounting screws removed in Step 12, and reinstall the inner trunk to the trunk lid. Be sure the wires are positioned in a safe place where they won't pinch.

STEP 25 Locate striker rods and hardware that were removed in Step 11. Reinstall striker rods to the trunk lid. Be sure striker rods are pointing in the correct direction. If not it can cause damage to the trunk when closed.

STEP 26 Refer to PIC 16. Reinstall the trunk lid assembly in the reverse order of which it was removed, using the hardware that was removed in Step 10.

Note: Refer to your motorcycle's service manual for assistance.

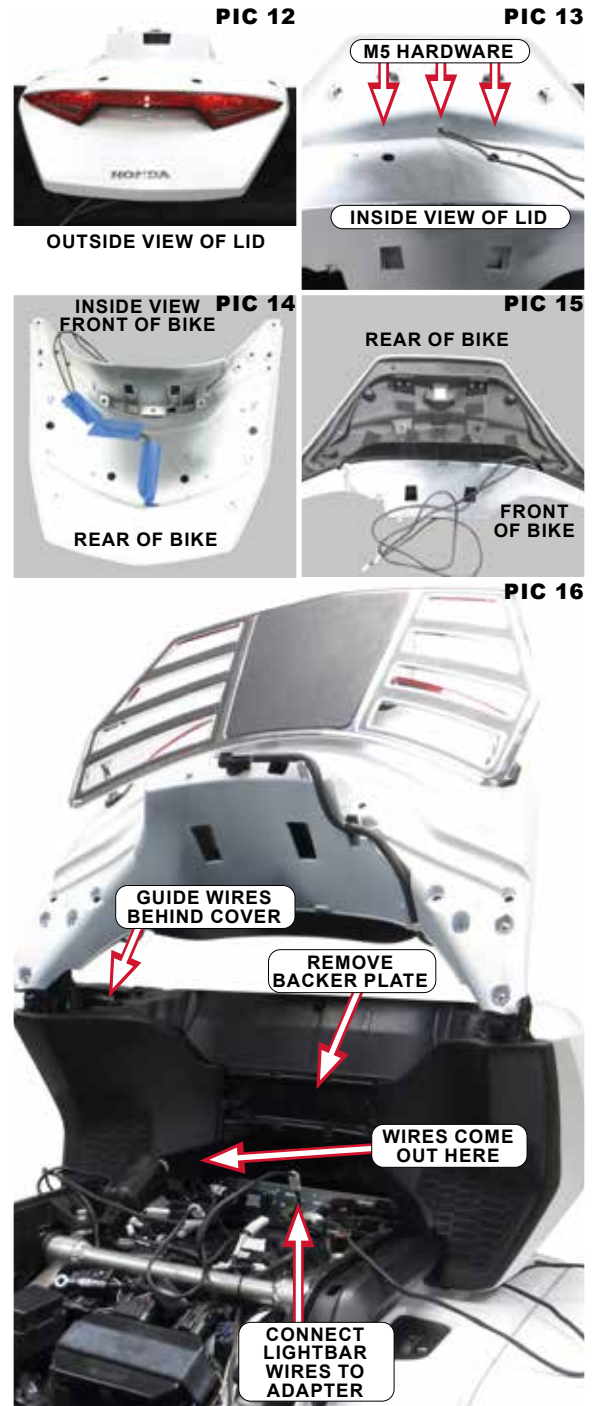
STEP 27 Refer to PIC 16. Fasten the wiring harness to the trunk lid. Be very careful not to break the tabs holding the wire at the top of the trunk lid.

STEP 28 Refer to PIC 16. On the front side of the trunk, under the passenger backrest area, remove hardware from the backer plate located in the middle. Remove backer plate. Set all aside, it will be reused.

STEP 29 Guide the trunk light wires down past the trunk hinge, under the speaker cover, and pull wires through the bottom of the speaker cover. Pull the wires all the way through.

Note: Provide enough slack in the wires for the trunk to easily open and close. Be sure wires are not in the way of any moving parts and will not be pinched.

STEP 30 Refer to PIC 16. Connect the wires of the lights to their corresponding wire adapters.



INSTALLATION INSTRUCTIONS

L.E.D. TRUNK LIGHTBAR FOR GL1800

3264

-CONTINUED-

- STEP 31** Reinstall main fuse and test lights for proper run/turn/brake operations.
- STEP 32** Use provided Cable Ties and Cable Tie Mounts to fasten the wires in a safe place. Be sure to fasten the wires where they won't pinch, pull, or be damaged.
- STEP 33** Reinstall the backer plate that was removed in Step 28.
- STEP 34** Reinstall the passenger seat back and passenger arm rests.
- STEP 35** Reinstall the side covers and seat, using the hardware that was removed in Step 2.

FINAL



NOTICE

IT IS THE INSTALLER'S RESPONSIBILITY TO ENSURE THAT ALL OF THE FASTENERS (INCLUDING PRE-ASSEMBLED) ARE TIGHTENED BEFORE OPERATION OF THE MOTORCYCLE. KURYAKYN WILL NOT PROVIDE WARRANTY COVERAGE ON PRODUCTS OR COMPONENTS LOST DUE TO IMPROPER INSTALLATION OR LACK OF MAINTENANCE. PERIODIC INSPECTION AND MAINTENANCE ARE REQUIRED ON ALL FASTENERS.

LIMITED WARRANTY

Kuryakyn warrants that any Kuryakyn products sold hereunder, shall be free of defects in materials & workmanship for a period of one (1) year from the date of purchase by the consumer excepting the following provisions:

1. Kuryakyn shall have no obligation in the event the customer is unable to provide a receipt showing the date the customer purchased the product(s).
2. The product must be properly installed, maintained & operated under normal conditions.
03. Kuryakyn shall not be liable for any consequential & incidental damages, including labor & paint, resulting from failure of a Kuryakyn product, failure to deliver, delay in delivery, delivery in nonconforming condition, or for any breach of contract or duty between Kuryakyn & a customer.
- 4.0 Kuryakyn products are often intended for use in specific applications. Kuryakyn makes no warranty if a Kuryakyn product is used in applications other than intended.
- 5.0 Kuryakyn electrical products are warranted for one (1) year from the date of purchase by the consumer. L.E.D.'s contained in components of Kuryakyn products will be warranted for defects in materials & workmanship for 3 years from the date of purchase whereas all other components shall be warranted for one (1) year.
6. All warranty claims must be directed to the place of purchase. Merchandise sold through internet auction sites or any other unauthorized reseller shall not carry a Kuryakyn warranty. If unsure, please contact the place of purchase to verify they are an authorized Kuryakyn reseller.

.RETURN POLICY

0Merchandise determined to be defective may be returned up to one year from the date of purchase. Returns must be processed through original seller. Returned merchandise for any other reason other than warranty claims must be in like new condition & subject to a 20% restocking fee. All returns are subject to inspection for determination of full or partial credit. Any returned part that shows evidence of being used or installed contrary to manufacturer's instructions, &/or subjected to improper handling, packaging or return shipping by the customer, will not be eligible for exchange, refund or warranty consideration. All returned electrical items will be inspected & tested. If electrical item is deemed functional, no credit will be issued & item will be returned. All sales are final on discontinued or closeout merchandise.

©2015 KURYAKYN HOLDINGS, LLC ALL RIGHTS RESERVED

KURYAKYN, KURYAKYN K logo and the marks appearing on this instruction sheet are registered and common law trademarks of Kuryakyn Holdings except noted third-party trademarks. A full listing of trademarks and trademark registrations owned by Kuryakyn Holdings can be found at www.kuryakyn.com/legal-notice.

Emissions Notice: The California Air Resources Board (CARB) does not permit the use of aftermarket emission-related parts(s) that alter the performance of OEM emission-related devices unless CARB has issued an Executive Order, other than on racing vehicles on closed courses. Check your local laws and manufacturer's information.

Listed Manufacturers and product model names are for reference only. All product and company names are trademarks or registered trademarks of their respective holders. Use of them does not imply any affiliation with or endorsement by them. All specifications are subject to change without notice.

For additional information on third-party product and company names, please consult our Web page at www.kuryakyn.com/legal-notice

KURYAKYN.COM

866 277 9598 | INFO@KURYAKYN.COM

454 COUNTY ROAD VV SOMERSET, WI 54025

PAGE 5

303264

DPF-MRK-003 REV A 2/5/20

