

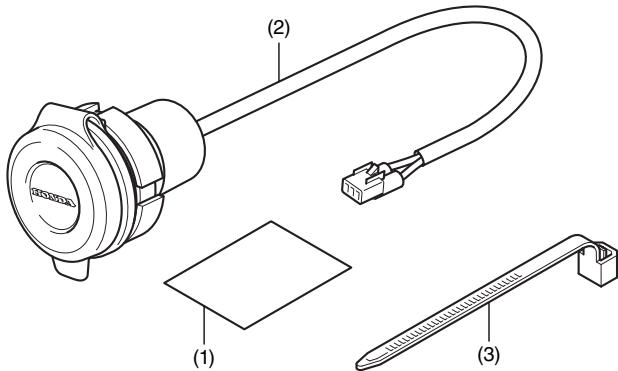
HONDA

INSTALLATION INSTRUCTIONS

Accessory	Application	Publication No.
12V ACCESSORY SOCKET P/N 08U79-MKC-A00	GL1800/B/BD/D/DA	MII 16426
		Issue Date
		January 2018

Honda Dealer: Please give a copy of these instructions to your customer.

PARTS LIST



No.	Description	Qty
(1)	Installation Instructions URL	1
(2)	Accessory socket	1
(3)	Wire tie	2

SUPPLIES REQUIRED

- Snips
- Electric drill
- Hole saw (28 mm)
- File

TORQUE CHART

Refer to the Service Manual for the torque values of the removed parts.

INSTALLATION

▲ CAUTION

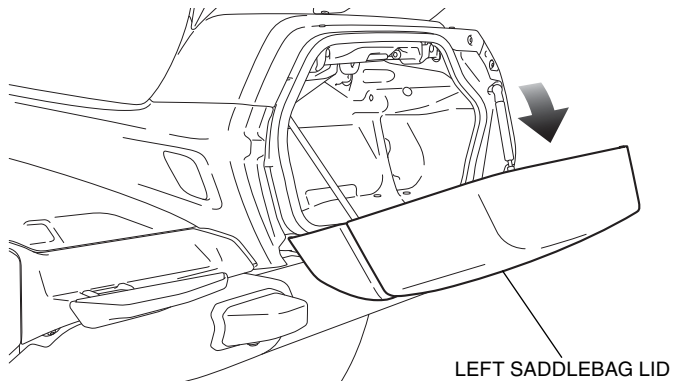
- To prevent burns, allow the engine, exhaust system, radiator, etc., to cool before installing the accessory.

NOTE:

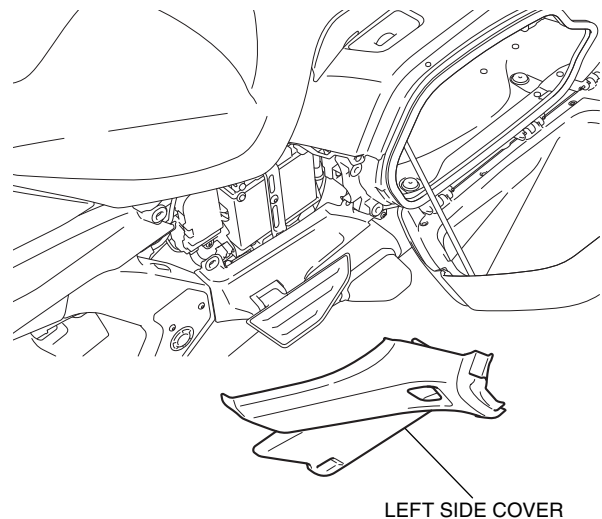
- Disconnect the negative (-) cable from the battery before installing this accessory.
- The memory of the clock will be erased when you disconnect the battery. Reset the clock after reconnecting the battery.
- Reinstall the removed parts on the motorcycle and make sure that the wires and harnesses are not pinched.
- Trim the excess ends off the wire ties after attaching them to the wire harnesses. Do not allow the cut part of the wire tie to interfere with another harness or brake hose.

- Open the left saddlebag lid as shown.
 - Repeat on the right side.

<Left side>

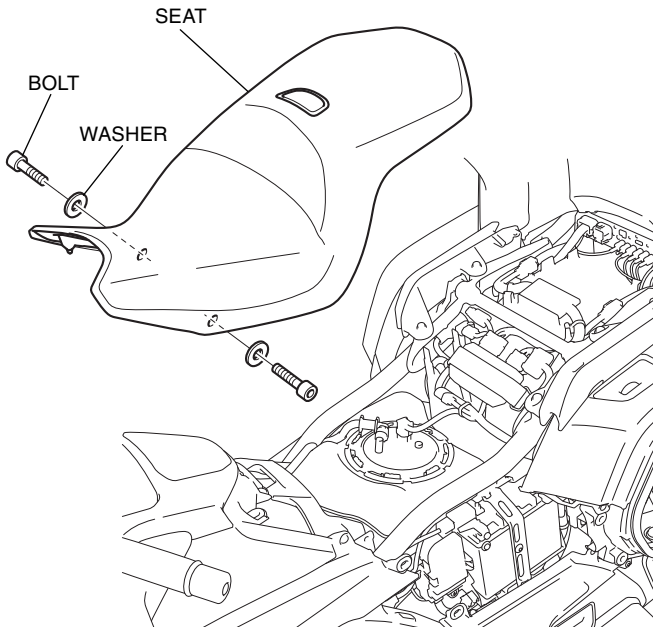


- Remove the left side cover as shown, and disconnect the negative (-) cable of the battery.



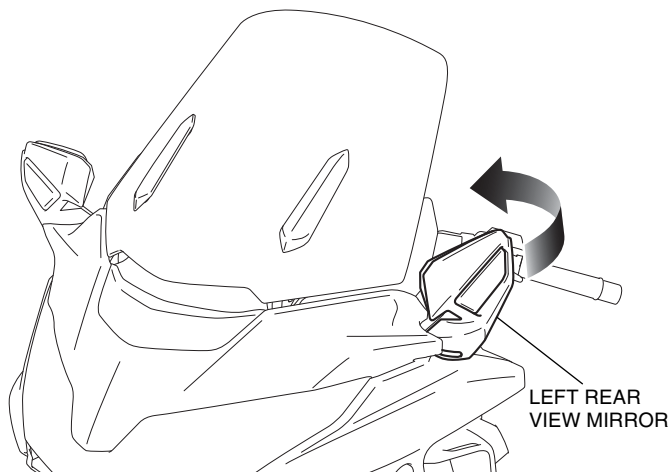
- Remove the right side cover in the same manner as the left side.

4. Remove the seat as shown.
 - **Disconnect the connector for GL1800/D/DA.**



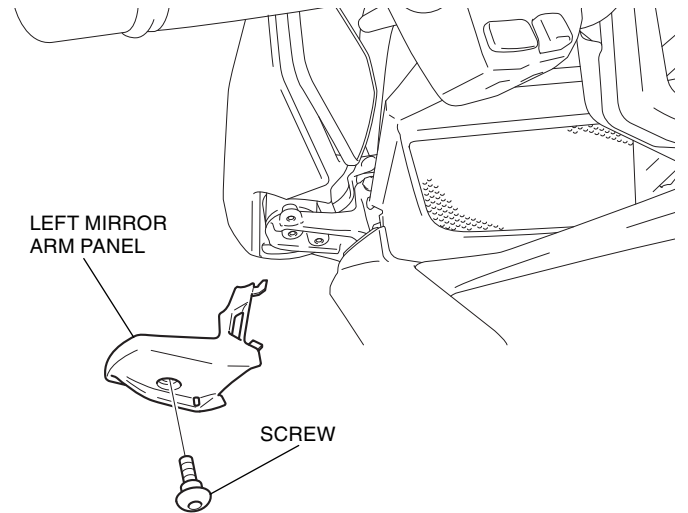
5. Fold down the left rear view mirror backward as shown.

<Left side>



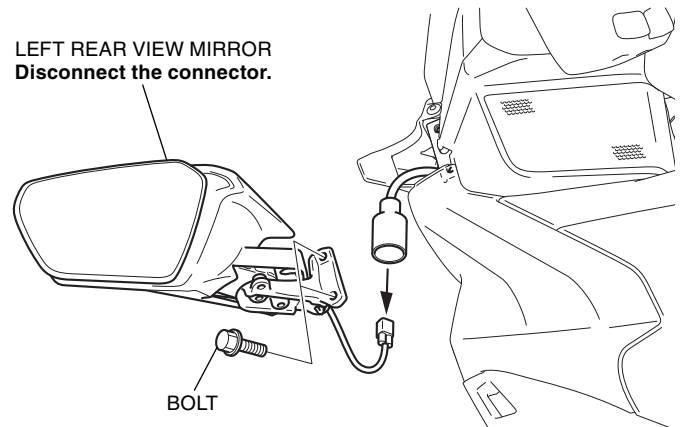
6. Remove the left mirror arm panel as shown.

<Left side>



7. Remove the left rear view mirror as shown.

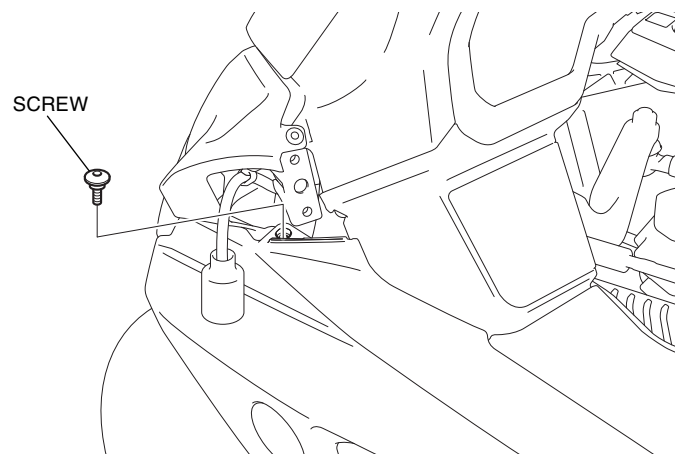
LEFT REAR VIEW MIRROR
Disconnect the connector.



8. Remove the right mirror arm panel and right rear view mirror in the same manner as the left side.

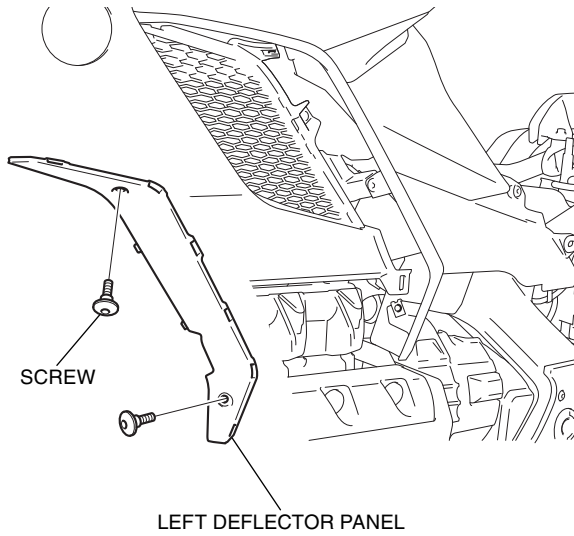
9. Remove the screw as shown.
 - **Repeat on the right side.**

<Left side>

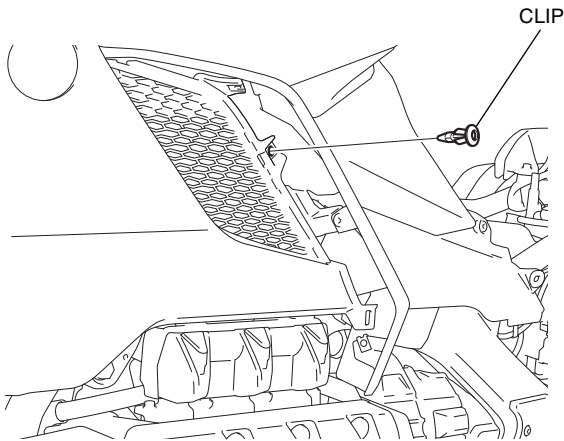


10. Remove the left deflector panel as shown.

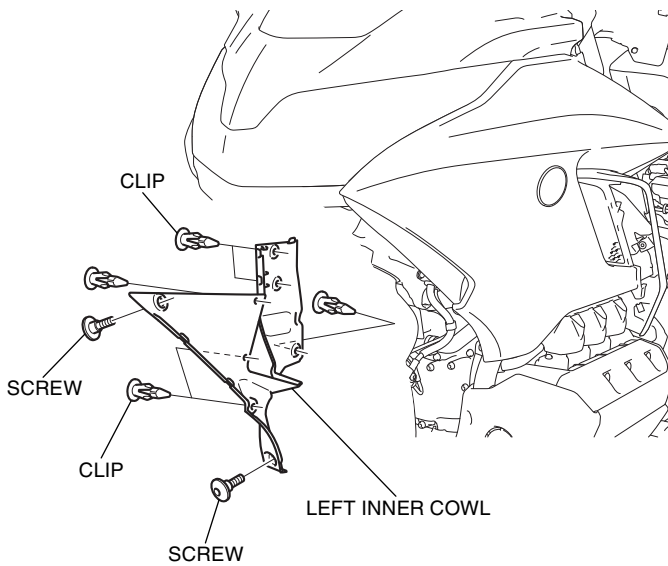
<Left side>



11. Remove the clip as shown.

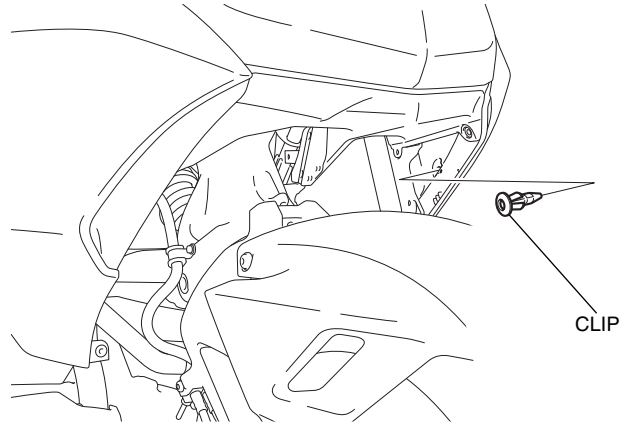


12. Remove the left inner cowl as shown.



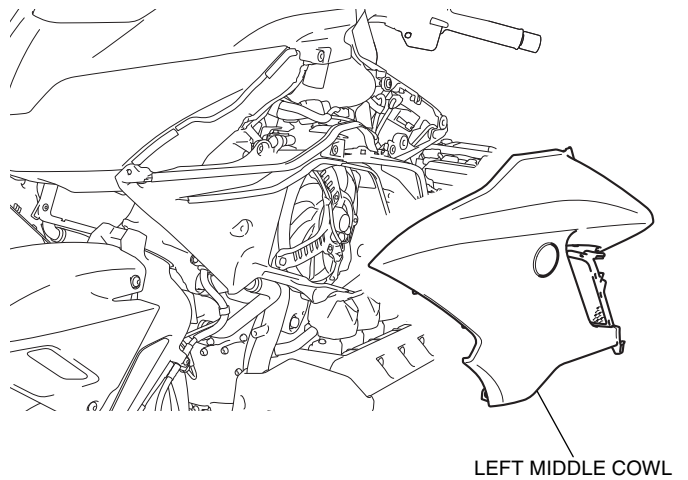
13. Remove the clip as shown.

<Left side>



14. Remove the left middle cowl as shown.

<Left side>

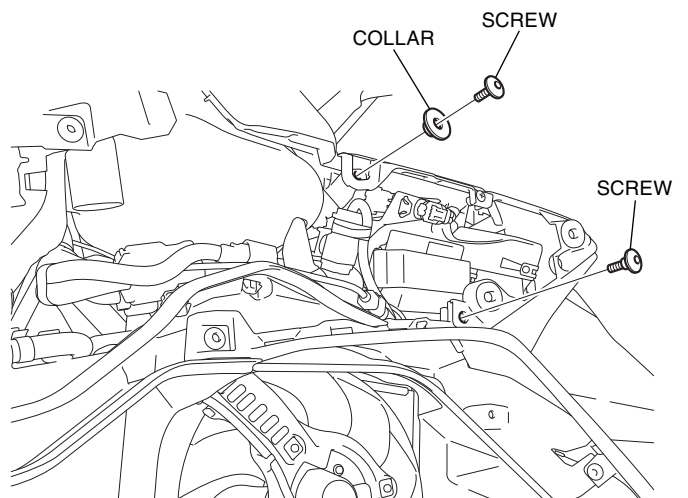


15. Remove the right deflector panel, right inner cowl and right middle cowl in the same manner as the left side.

16. Remove the parts as shown.

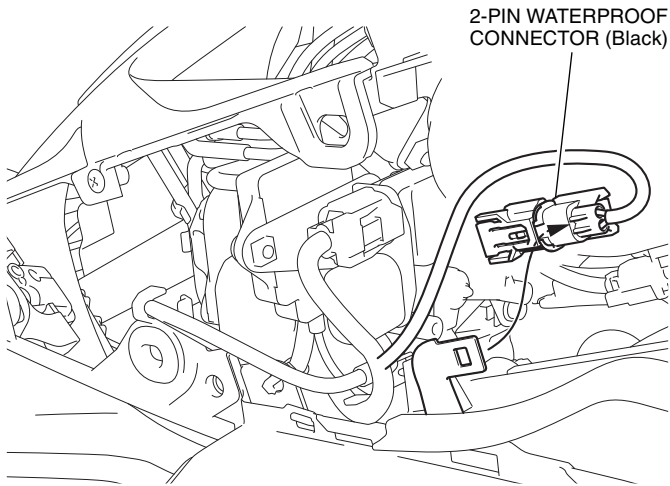
- Repeat on the right side.

<Left side>

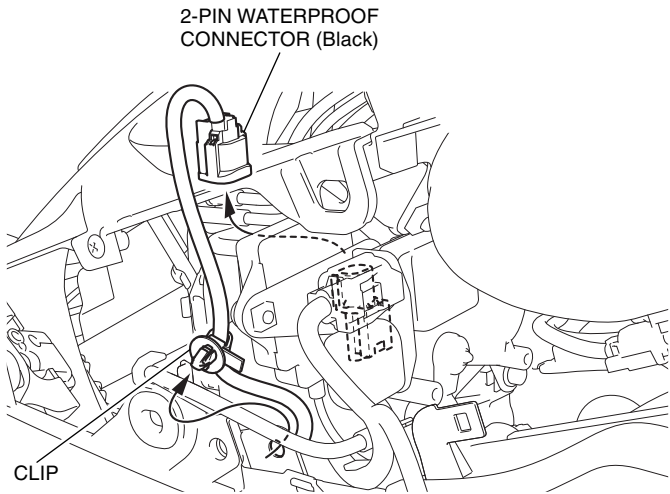


17. Remove the 2P black connector as shown.

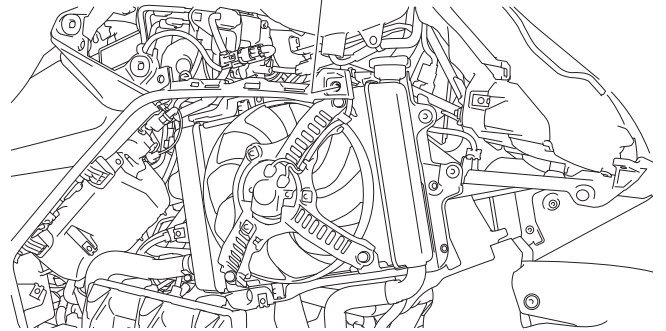
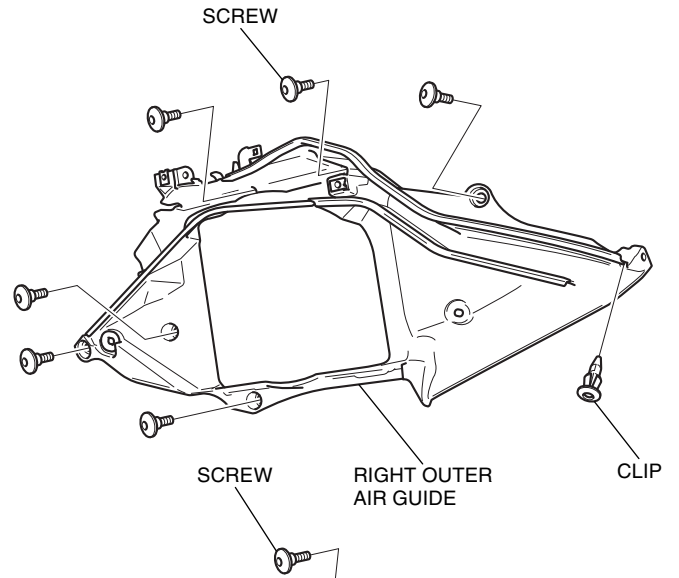
<Right side>



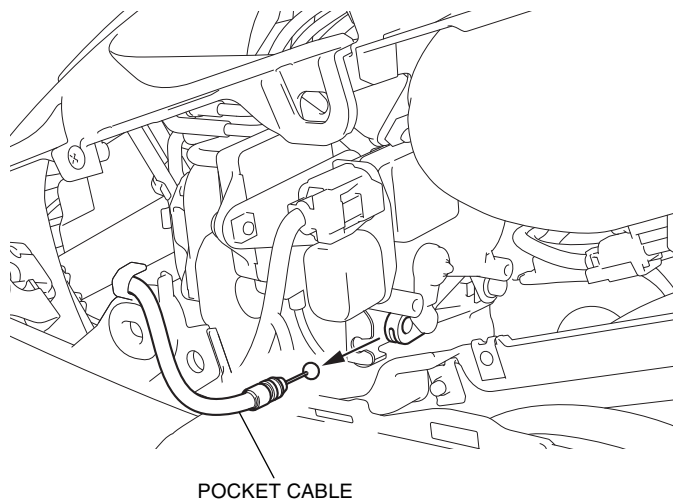
18. Remove the clip and disconnect the connector as shown.



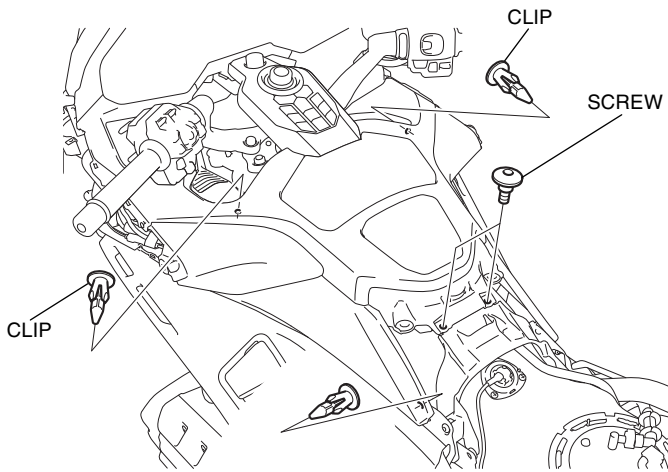
19. Remove the right outer air guide as shown.



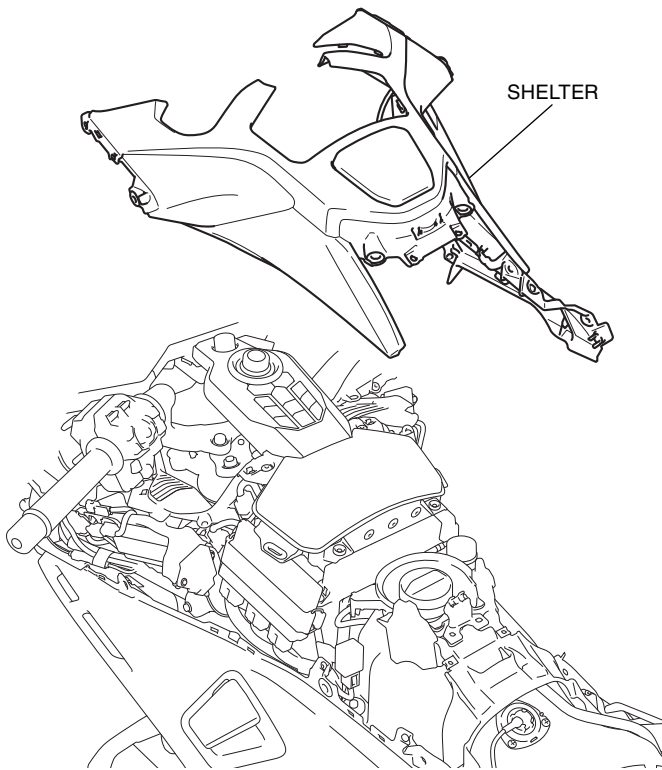
20. Remove the pocket cable as shown.



21. Remove the parts as shown.



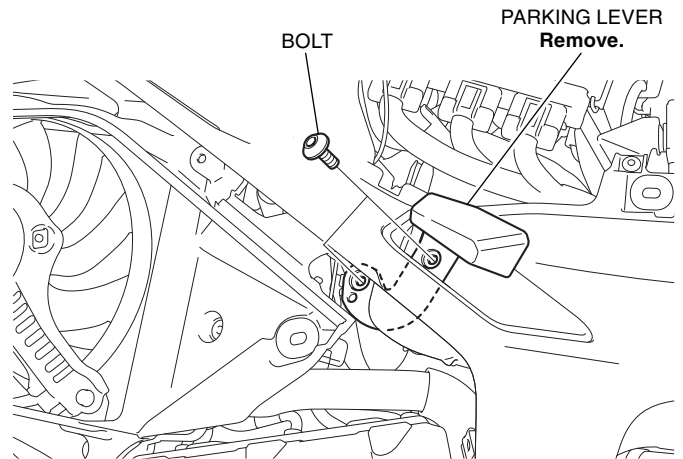
22. Remove the shelter as shown.



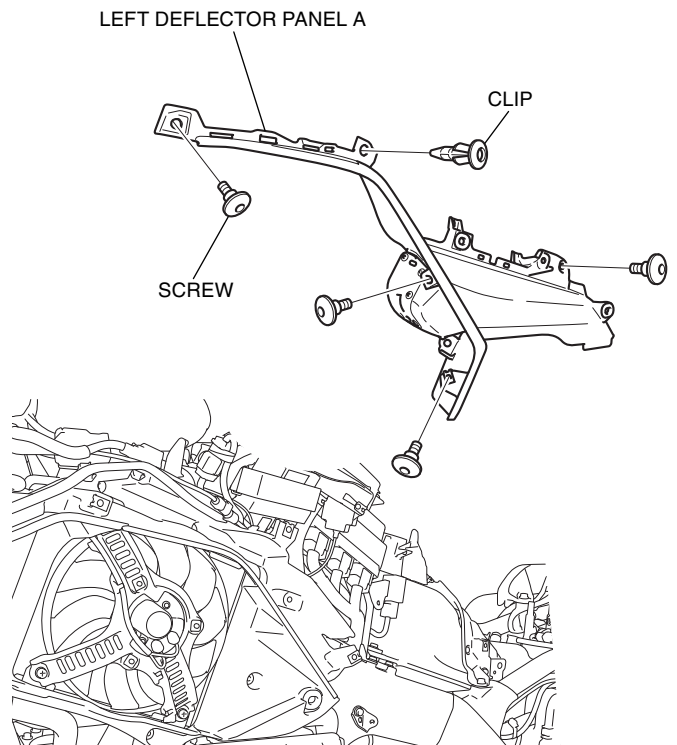
23. Remove the parking lever as shown.

- Perform this step on GL1800BD/D/DA only.

<Left side>

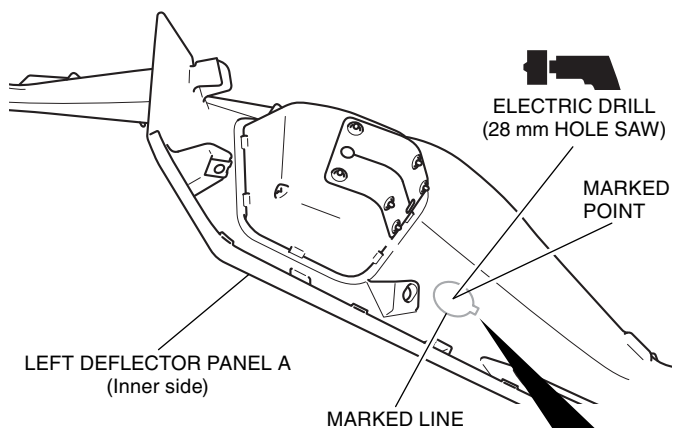



24. Remove the left deflector panel A as shown.

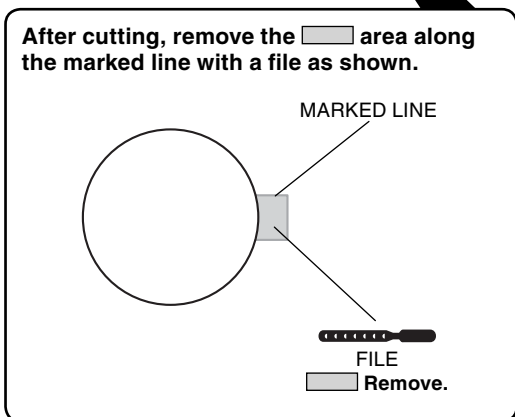


25. Drill a 28 mm hole at the marked point of the left deflector panel A as shown.

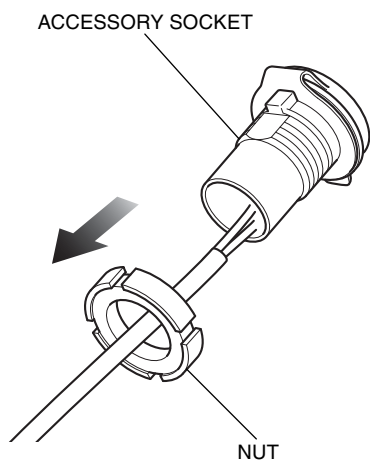
- Remove the any burrs from the edge of the hole.



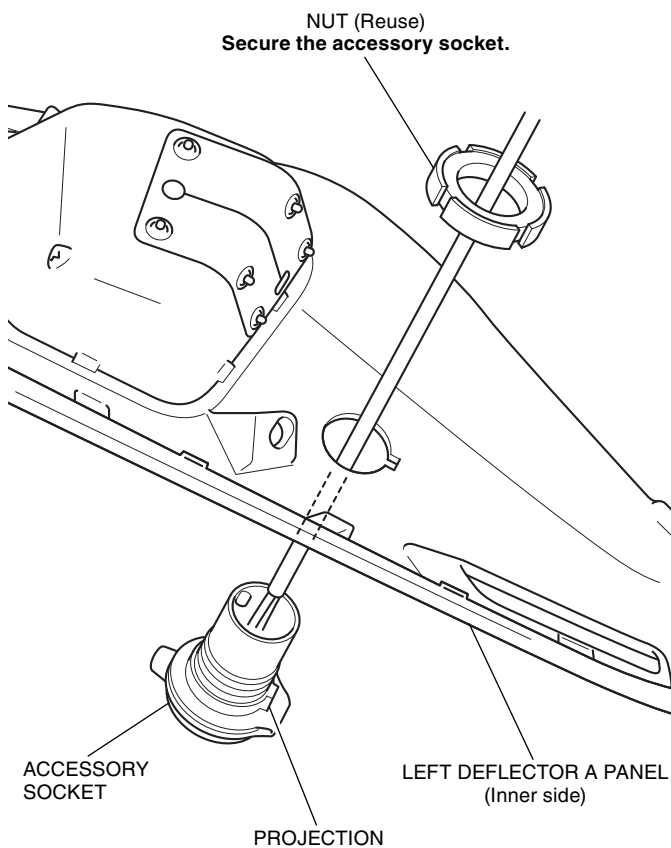
After cutting, remove the  area along the marked line with a file as shown.



26. Remove the nut as shown.

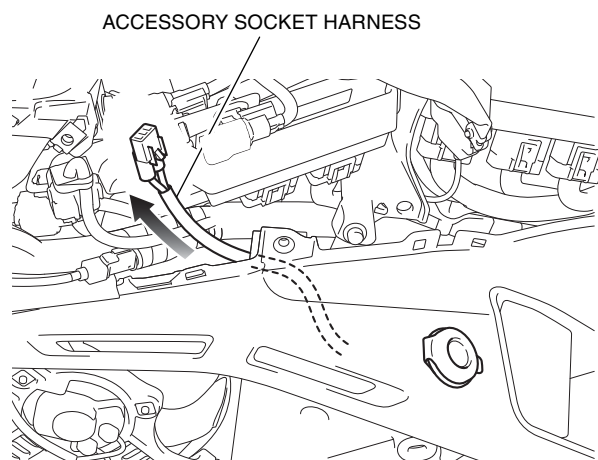


27. Install the accessory socket as shown.



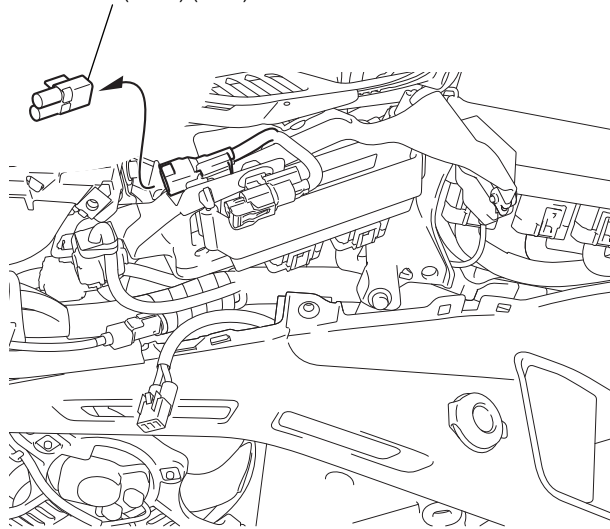
28. Route the accessory socket harness as shown, and install the left deflector panel A and parking lever in the reverse order of removal.

<Left side>



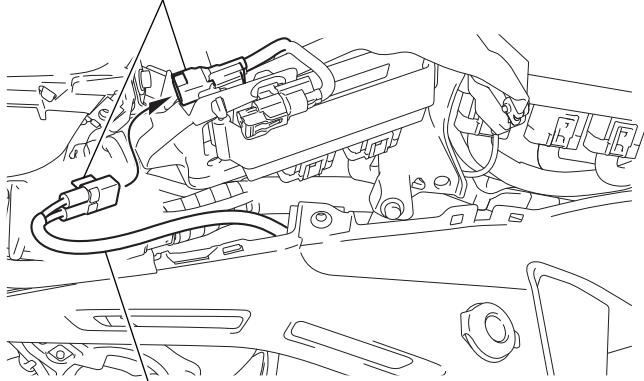
29. Remove the dummy connector from the 2P black connector shown.

2-PIN WATERPROOF DUMMY CONNECTOR (Black) (Save)



30. Connect the accessory socket harness as shown.

2-PIN WATERPROOF CONNECTOR (Black)

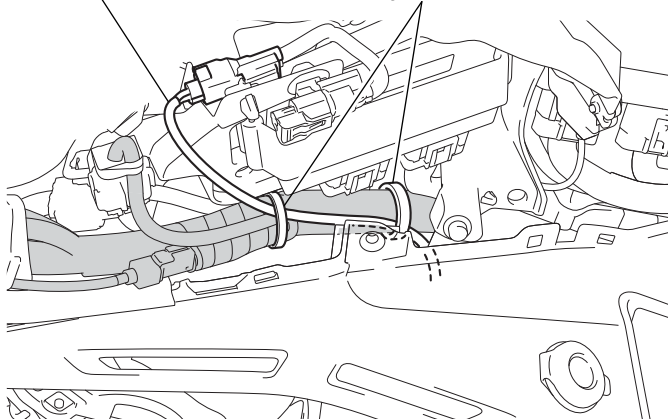


ACCESSORY SOCKET HARNESS

31. Secure the accessory socket harness with the wire ties as shown.

ACCESSORY SOCKET HARNESS

WIRE TIE
Secure the accessory socket harness to the motorcycle's harness.



32. Install the motorcycle's parts in the reverse order of removal.

- **Confirm that any wire harness is not caught or too tight.**

33. Check the accessory socket, headlight and the other lights for proper operation.