



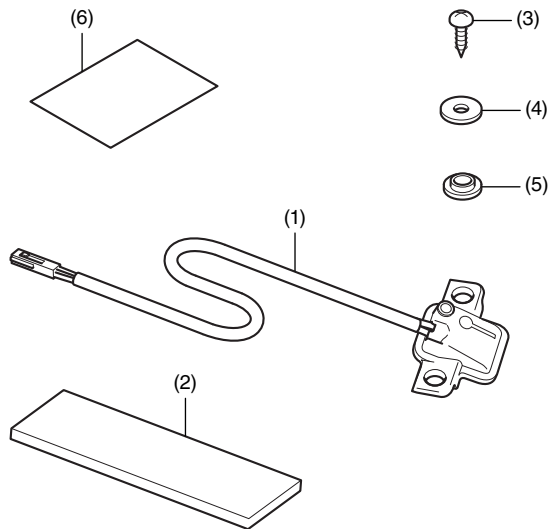
# HONDA

## INSTALLATION INSTRUCTIONS

Accessory	Application	Publication No.
LED TRUNK LIGHT P/N 08U74-MKC-A00	GL1800/D/DA GL1800B/BD	<b>MII 16426</b>
		Issue Date
		<b>January 2018</b>

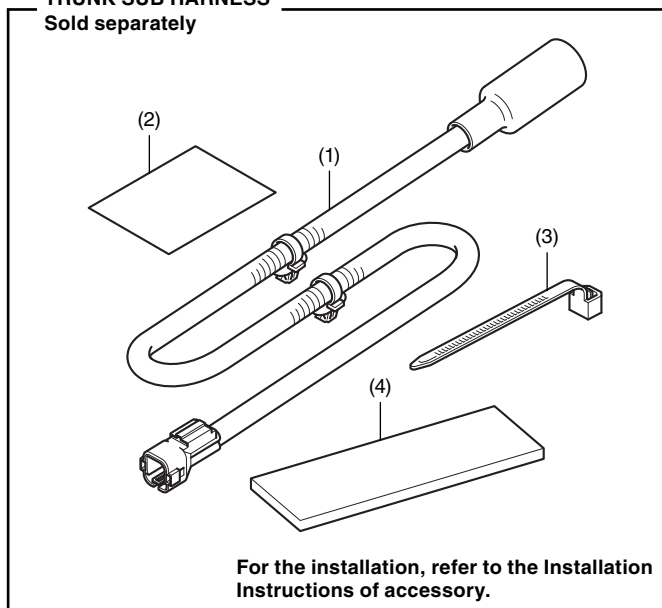
**Honda Dealer: Please give a copy of these instructions to your customer.**

### PARTS LIST



No.	Description	Qty
(1)	Trunk inner lamp	1
(2)	Cushion	1
(3)	5 mm screw	2
(4)	Washer	2
(5)	Collar	2
(6)	Installation Instructions URL	1

### TRUNK SUB HARNESS Sold separately



No.	Description	Qty
(1)	Trunk sub harness	1
(2)	Installation Instructions URL	1
(3)	Wire tie	1
(4)	Cushion	2

### TOOLS AND SUPPLIES REQUIRED

- Phillips screwdriver
- Snips
- Ruler
- File
- Scissors
- Isopropyl alcohol
- Shop towel
- Torque wrench

### TORQUE CHART


Tighten all screws, bolts, and nuts to their specified torque values. Refer to the Service Manual for the torque values of the removed parts.

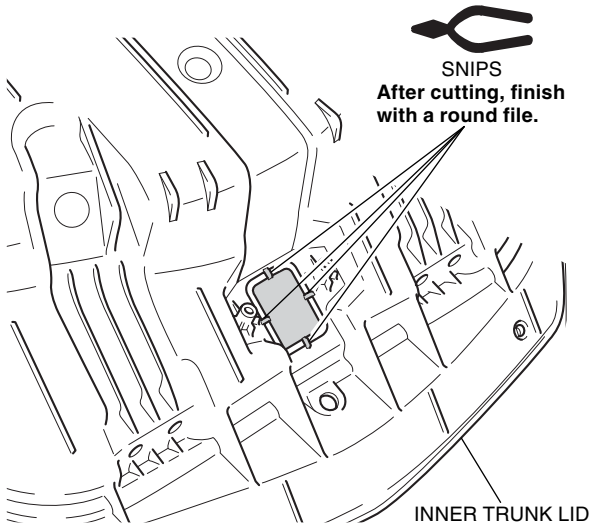
Item	N·m	kgf·m	lbf·ft
5 mm screw	4.2	0.5	3.8

### INSTALLATION

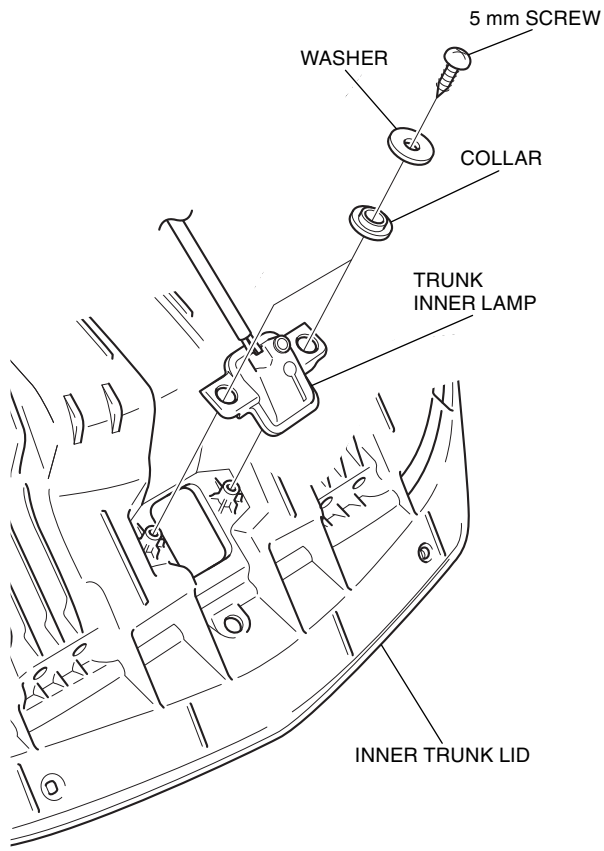
#### NOTE:

- Heat the bonding surfaces with a hair dryer if the ambient air temperature is below 70°F (21°C).
- The adhesive reaches full strength in 72 hours. Wait at least 24 hours before riding your motorcycle.
- Disconnect the negative (-) cable from the battery before installing this accessory.
- The clock memory will be erased when you disconnect the battery. Reset after reconnecting the battery.
- Reinstall the removed parts on the motorcycle and make sure that the wires and harnesses are not pinched.

1. Perform step 1 to 18 on the trunk sub harness (sold separately) installation instructions.
2. Cut out the  parts of inner trunk lid as shown.
  - **After cutting, remove any burrs.**

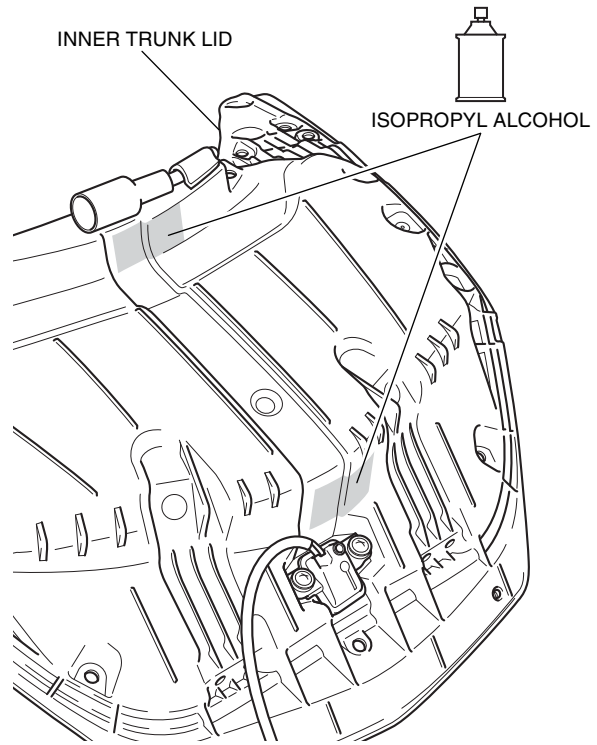


3. Install the trunk inner lamp as shown.

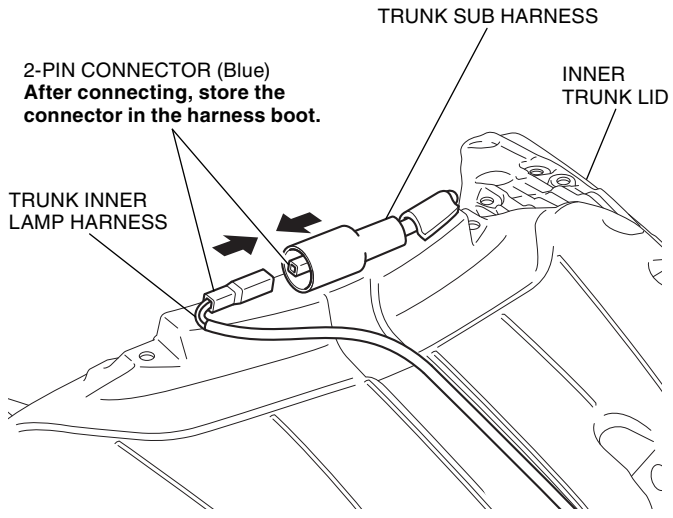


4. Perform step 19 to 22 on the trunk sub harness (sold separately) installation instructions.

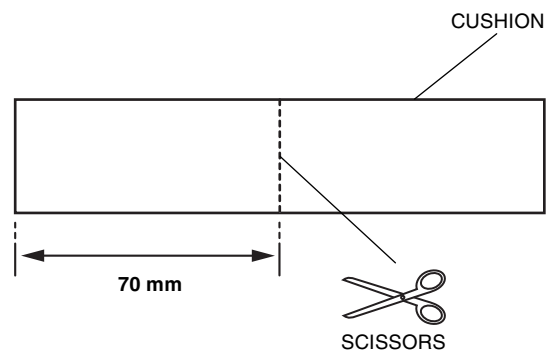
5. Clean the surface of the area shown using isopropyl alcohol.



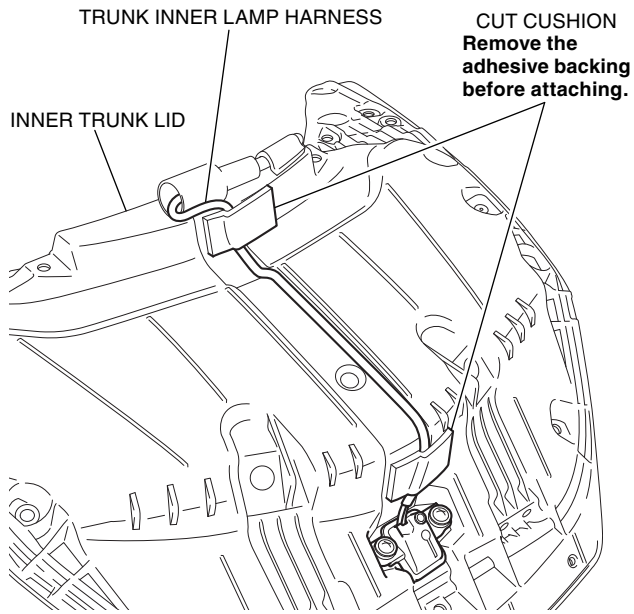
6. Connect the trunk inner lamp harness as shown.



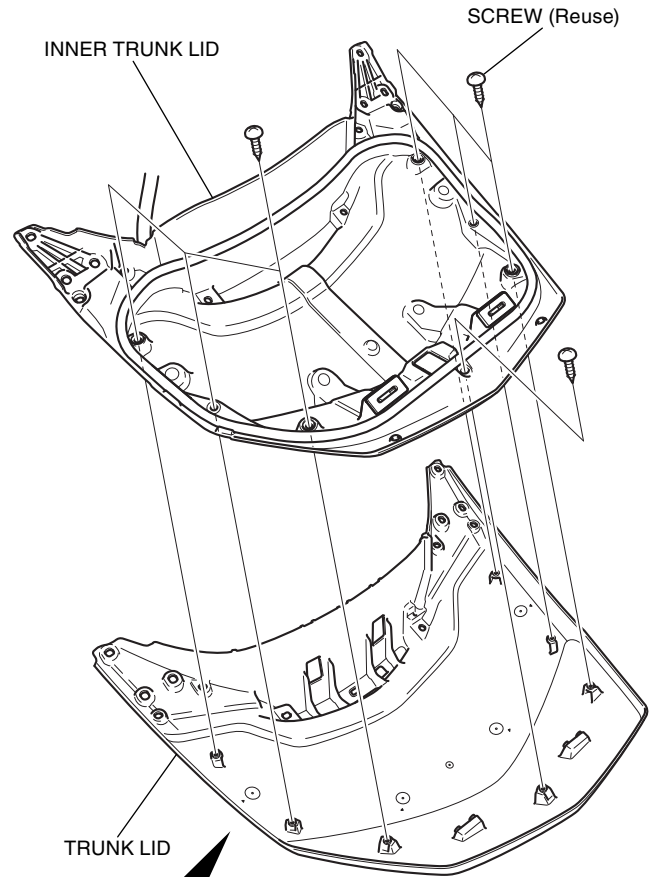
7. Cut the cushion to the dimensions shown.




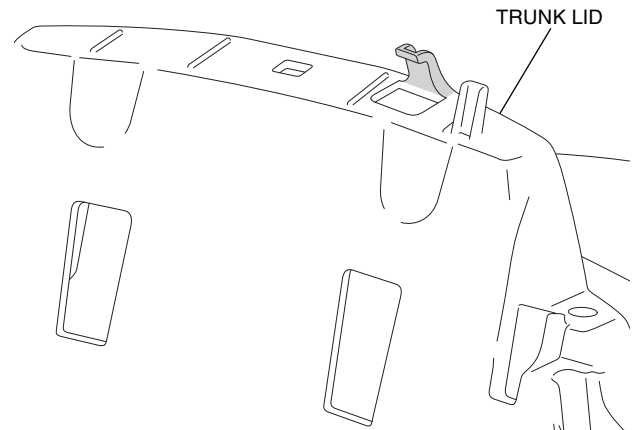
8. Attach the cushions as shown.



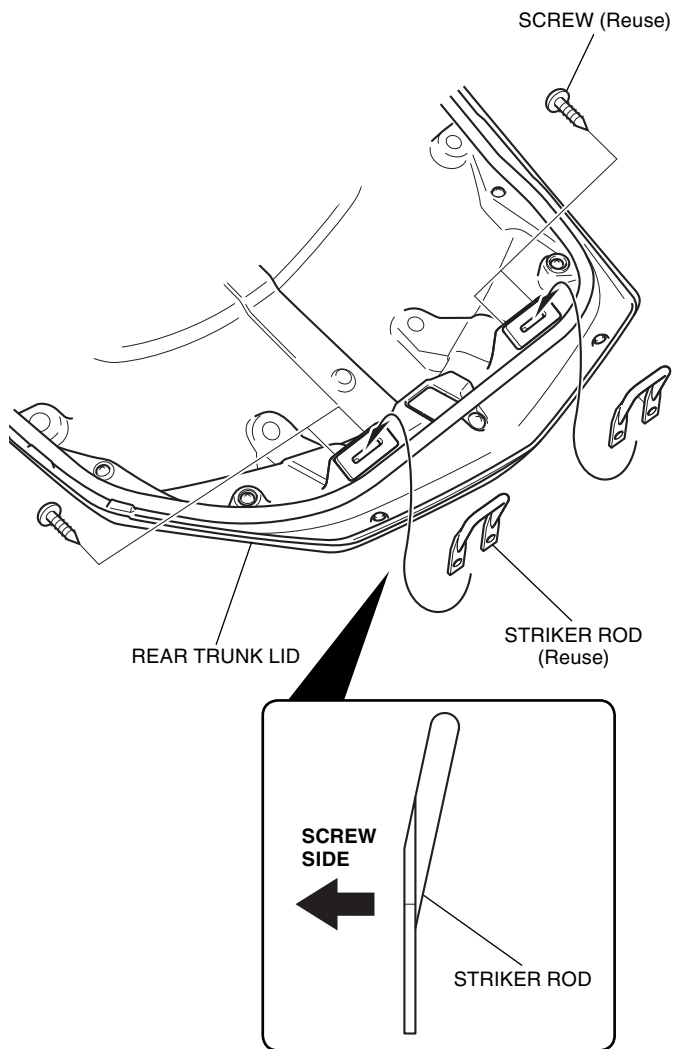
9. Install the inner trunk lid to the trunk lid as shown.



Install the trunk lid with care not to damage the  part.



10. Install the striker rods as shown.



11. Perform step 23 to 29 on the trunk sub harness (sold separately) installation instructions.