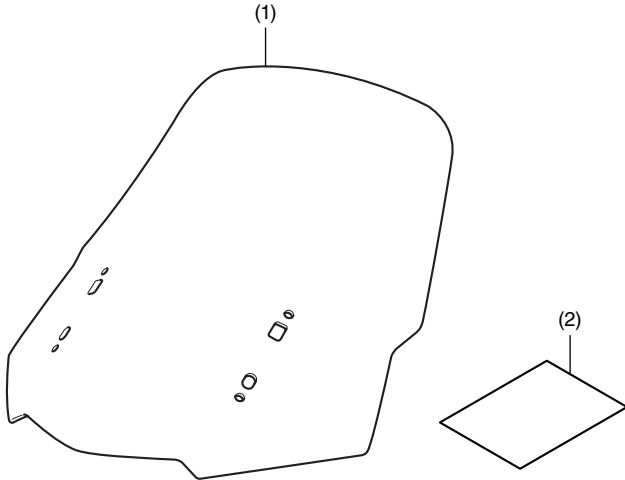


**Honda Dealer: Please give a copy of these instructions to your customer.**

## PARTS LIST



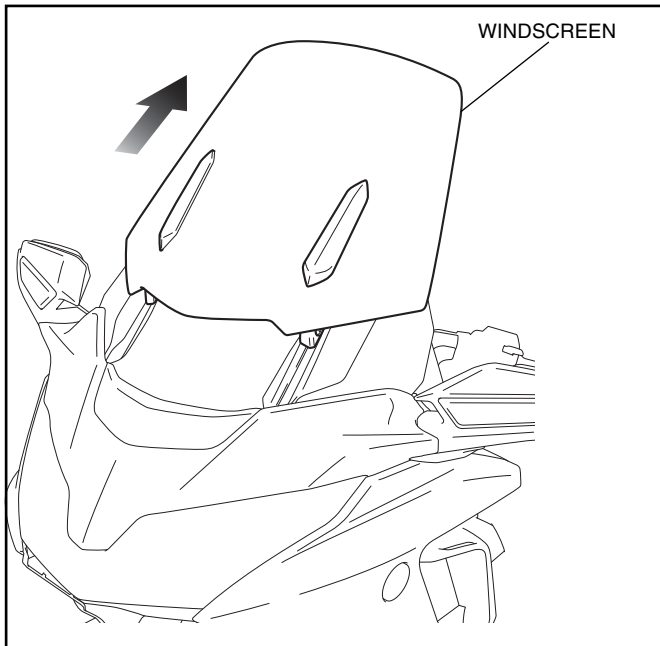
No.	Description	Qty
(1)	Tall windscreen	1
(2)	Installation instructions URL	1

## TORQUE CHART

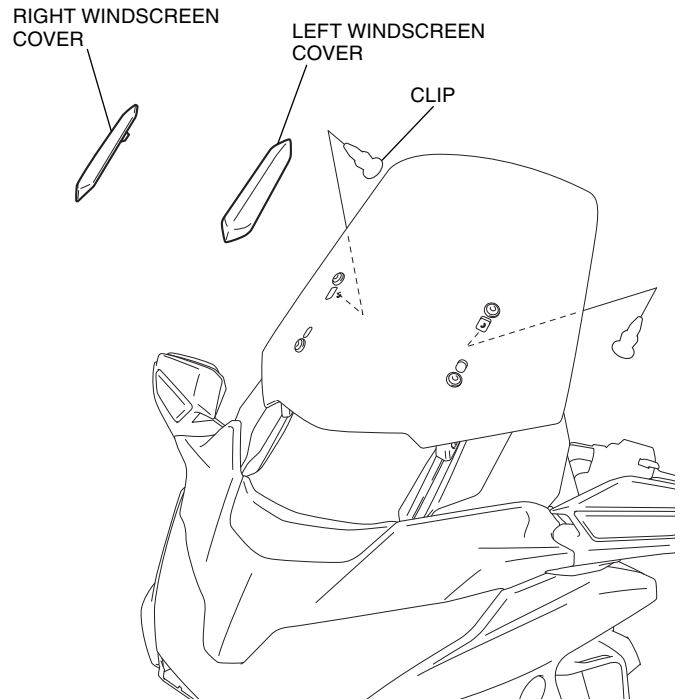
Refer to the Service Manual for the torque values of the removed parts.

## INSTALLATION

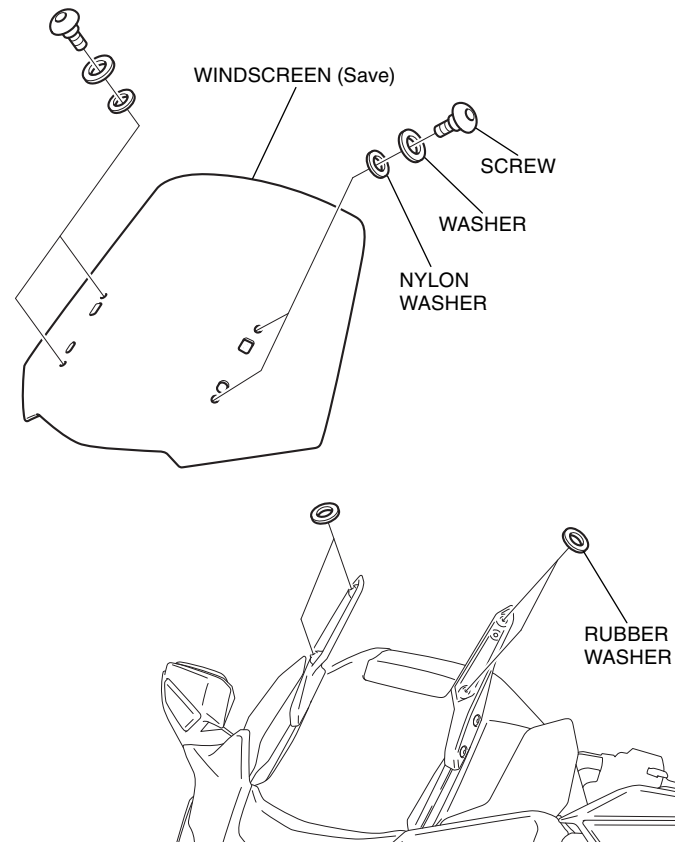
- Slide up the windscreen as shown.
  - The windscreen position is fixed when pressing. Please verify the **SCREEN UP/DOWN** switch **UP** while turning the ignition switch **OFF**.



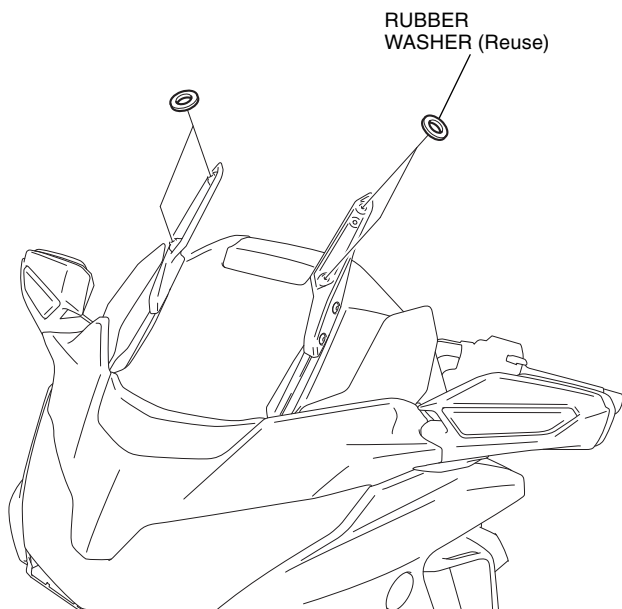
- Remove the right and left windscreen cover as shown.



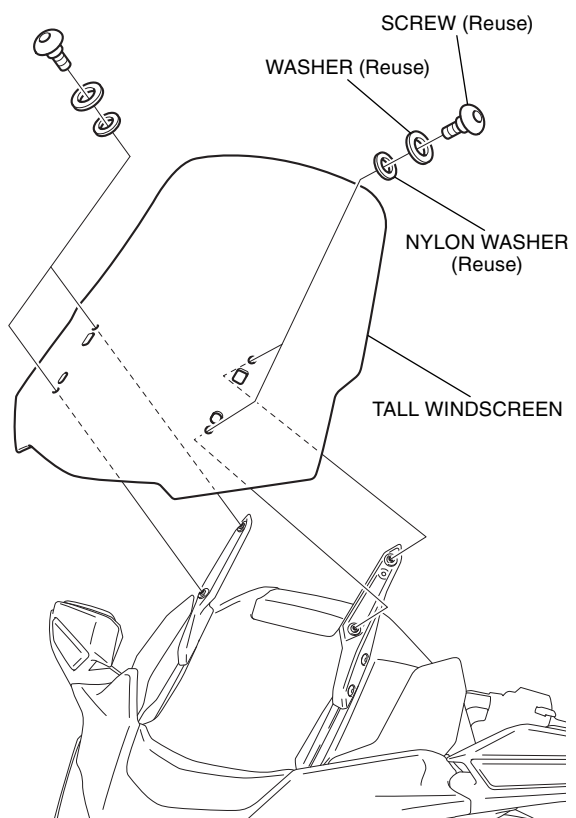
- Remove the windscreen as shown.



4. Install the rubber washers as shown.



5. Install the tall windscreen as shown.



6. Install the motorcycle's parts in the reverse order of removal.