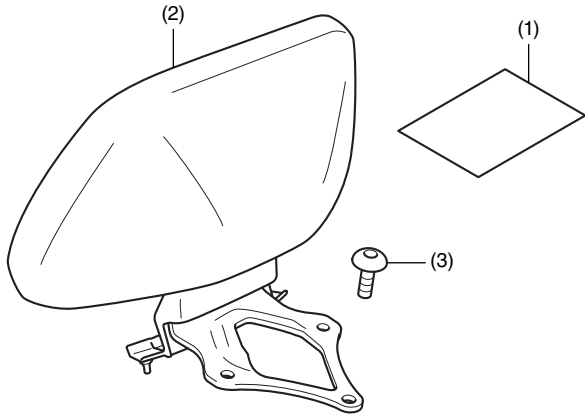


INSTALLATION INSTRUCTIONS

Accessory	Application	Publication No.
PASSENGER BACKREST P/N 08R70-MKC-A10	GL1800/D/DA GL1800B/BD	MII 16426
		Issue Date
		January 2018

Honda Dealer: Please give a copy of these instructions to your customer.

PARTS LIST



No.	Description	Qty
(1)	Installation Instructions URL	1
(2)	Backrest	1
(3)	8 mm socket bolt	3

TOOLS AND SUPPLIES REQUIRED

Hex wrench (6 mm)

Snips

Electric drill

Drill bit (7 mm)

File

Torque wrench

TORQUE CHART

Tighten all screws, bolts, and nuts to their specified torque values. Refer to the Service Manual for the torque values of the removed parts.

Item	N·m	kgf·m	lbf·ft
8 mm socket bolt	22	2.2	16

INSTALLATION

▲ CAUTION

- To prevent burns, allow the engine, exhaust system, radiator, etc., to cool before installing the accessory.

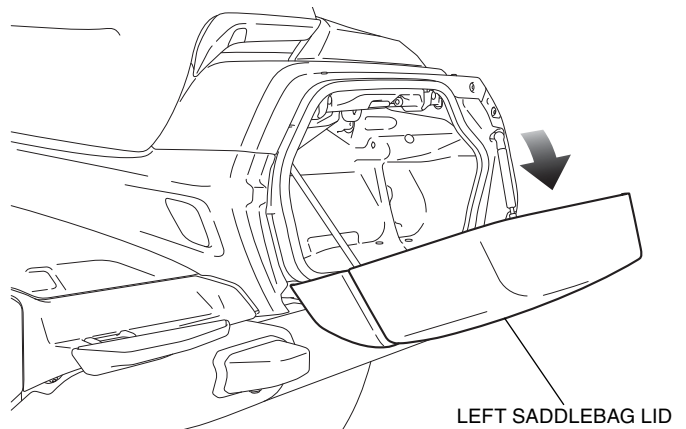
NOTE:

- Reinstall the removed parts on the motorcycle and make sure that the wires and harnesses are not pinched.

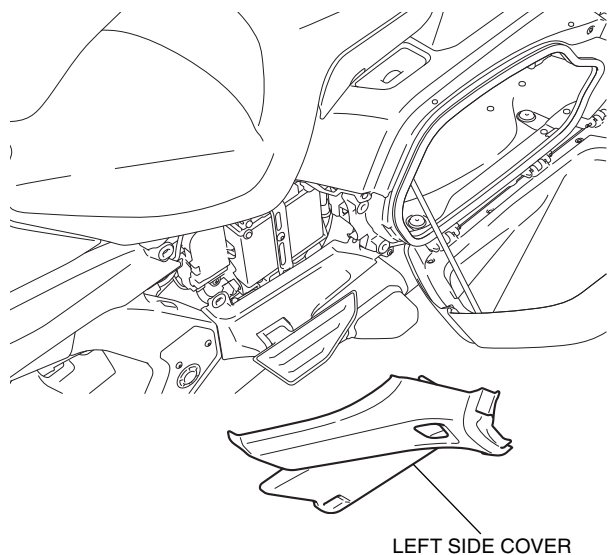
- Open the left saddlebag lid as shown.

- Repeat on the right side.

<Left side>

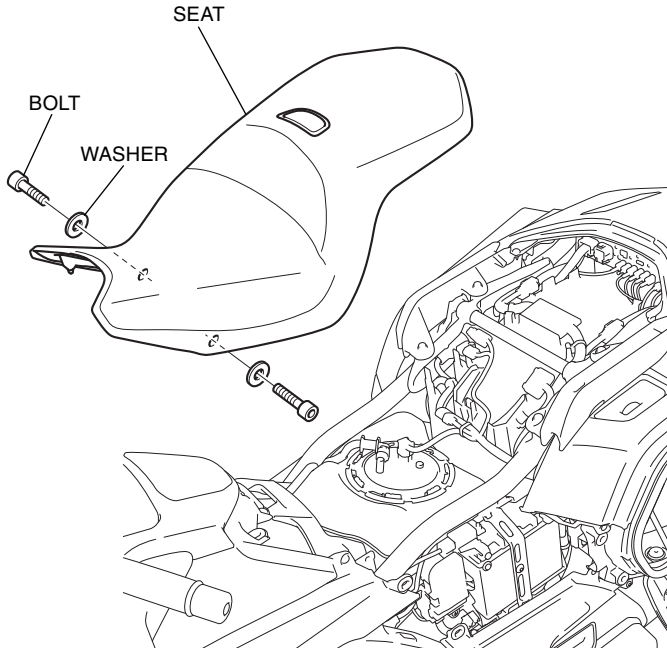


- Remove the left side cover as shown.

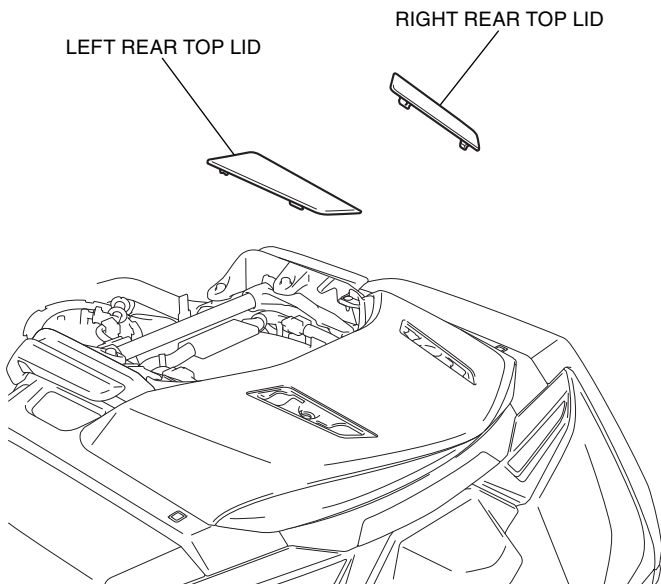


- Remove the right side cover in the same manner as the left side.

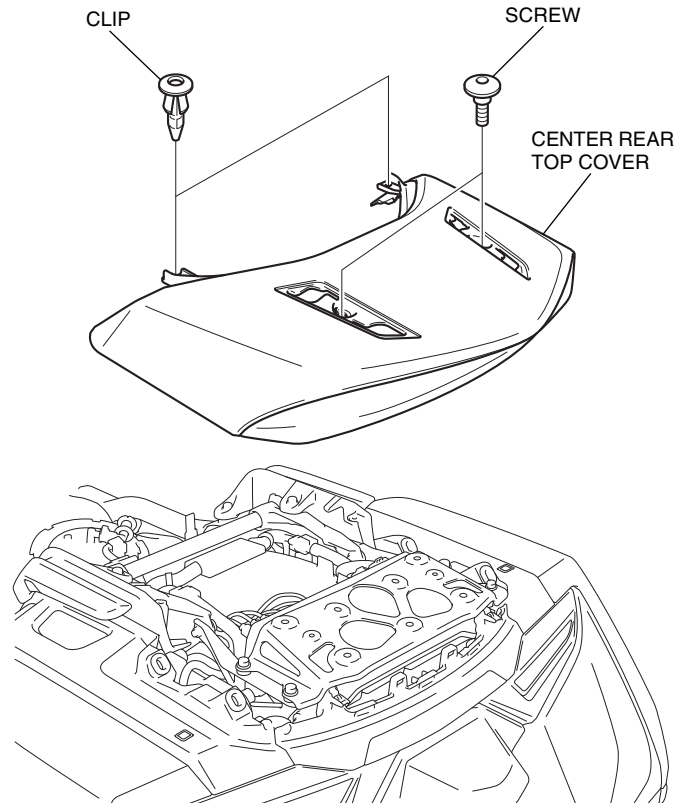
4. Remove the seat as shown.
- **Disconnect the connector for GL1800/D/DA.**



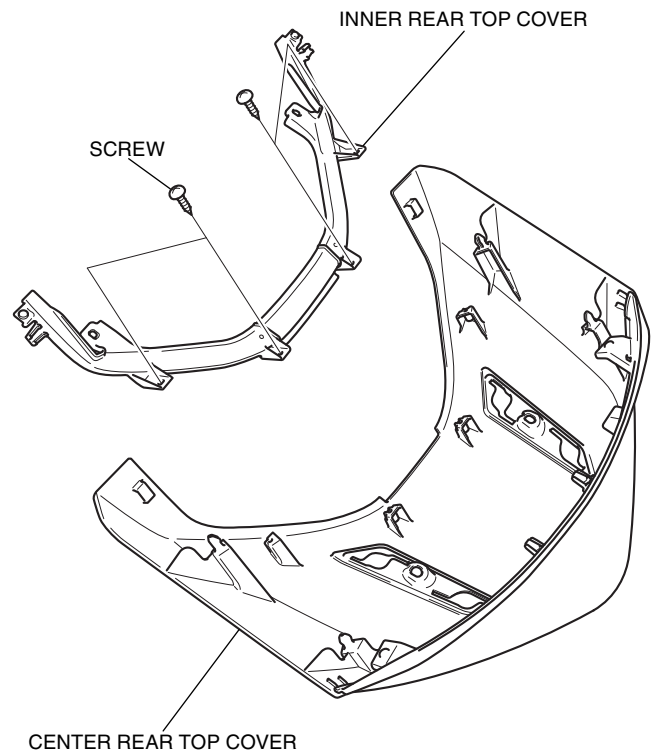
5. Remove the right and left rear top lid as shown.



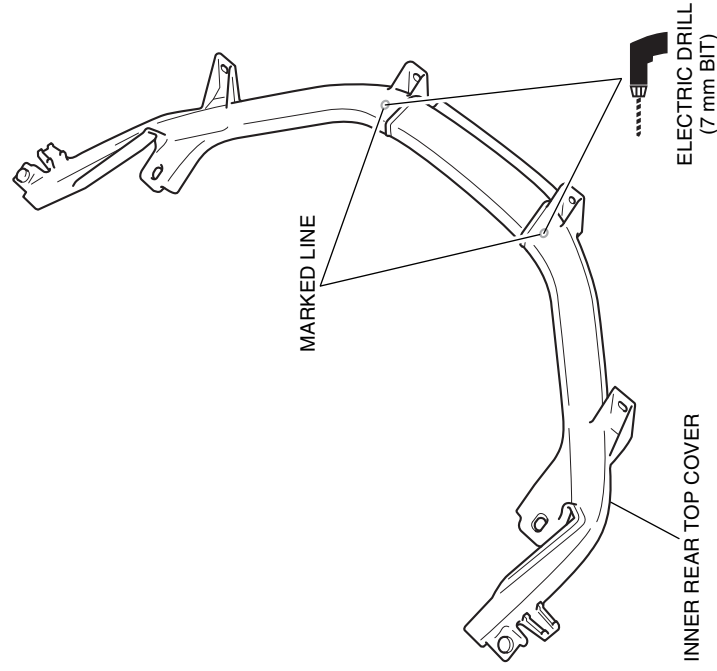
6. Remove the clips and screws as shown. Remove the center rear top cover by pulling firmly back and up



7. Remove the inner rear top cover as shown.

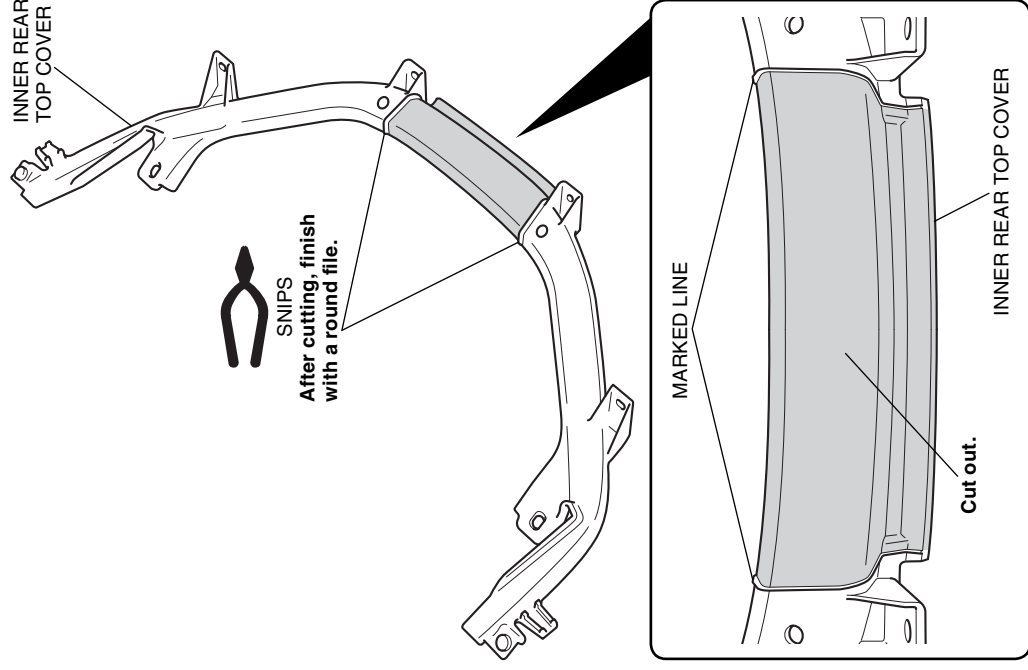


8. Drill at the marked lines of the inner rear top cover.
- Drill holes at the center of the marked lines.
 - Remove any burrs from the edge of the hole.

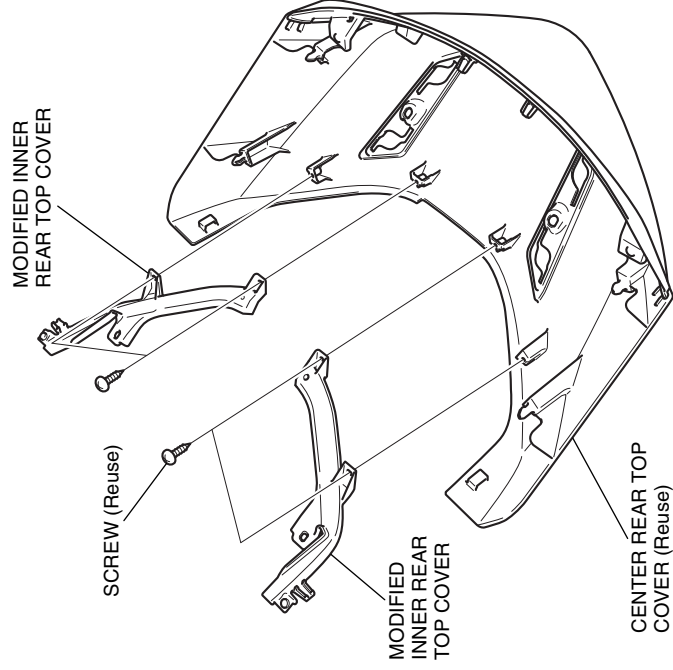


9. Cut out the  parts of inner rear top cover as shown.

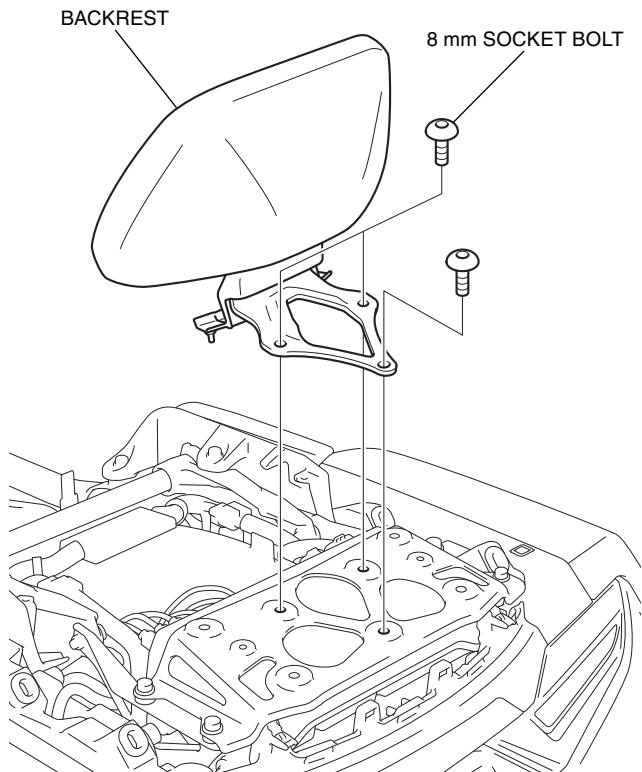
- After cutting, remove any burrs.



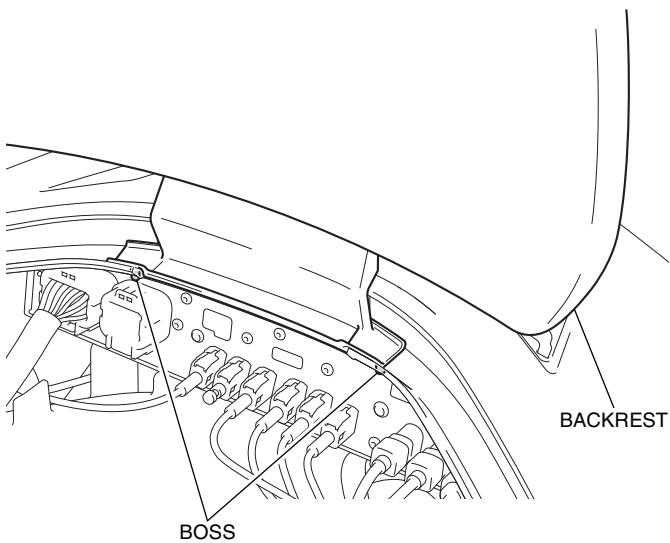
10. Install the modified inner rear top cover in the reverse order of removal.



11. Install the backrest as shown.



12. Install the center rear top cover in the reverse order of removal and insert the boss into the inner rear top cover as shown.



13. Install the motorcycle's parts in the reverse order of removal.

- **Confirm that any wire harness is not caught or too tight.**