



INSTALLATION INSTRUCTIONS

Accessory

TRUNK ORGANIZER
P/N 08L78-MKC-A00

Application

GL1800/D/DA
GL1800B/BD

Publication No.

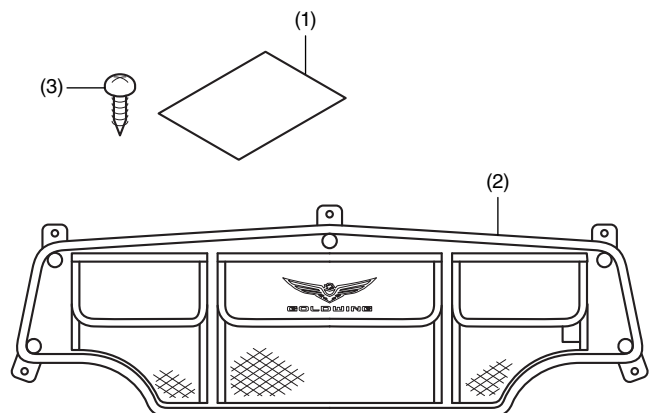
MII 16426

Issue Date

January 2018

Honda Dealer: Please give a copy of these instructions to your customer.

PARTS LIST



No.	Description	Qty
(1)	Installation Instructions URL	1
(2)	Trunk lid organizer	1
(3)	5 mm screw	7

TOOLS REQUIRED

Phillips screwdriver
Torque wrench

TORQUE CHART

Tighten all screws, bolts, and nuts to their specified torque values. Refer to the Service Manual for the torque values of the removed parts.

Item	N·m	kgf·m	lbf·ft
5 mm screw	4.2	0.4	3.1

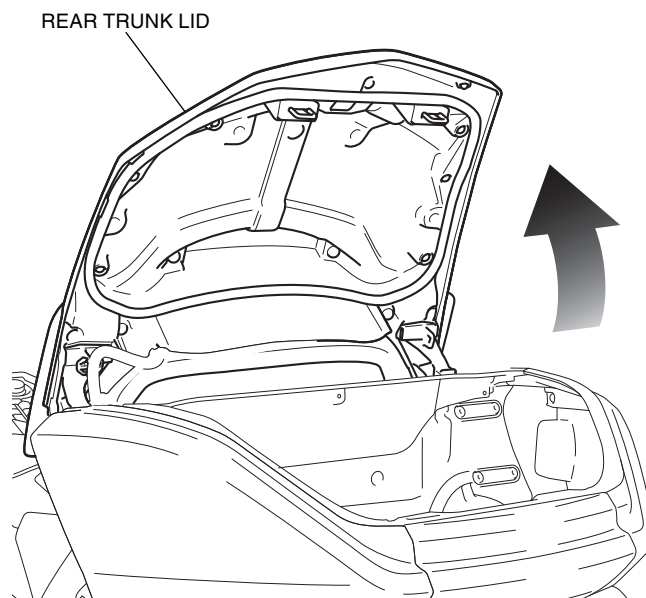
MAXIMUM LOADING CAPACITY

- The weight of the cargo must not exceed the following maximum loading capacity:

Maximum Loading Capacity	
Trunk lid organizer	1.0 lb (0.45 kg)

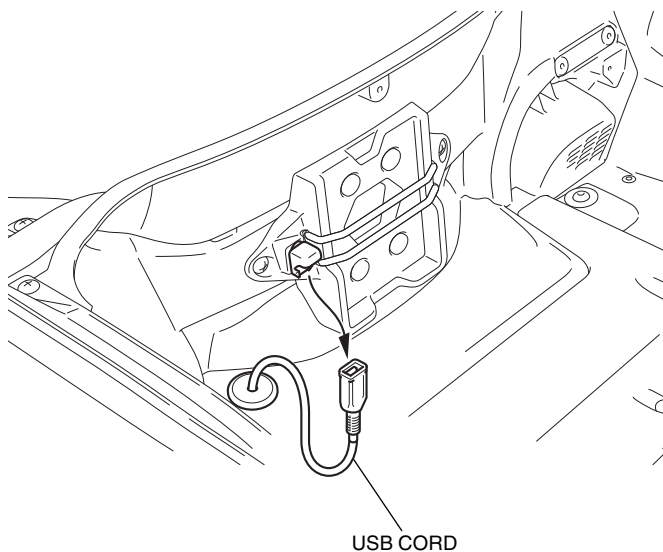
INSTALLATION

- Open the rear trunk lid as shown.

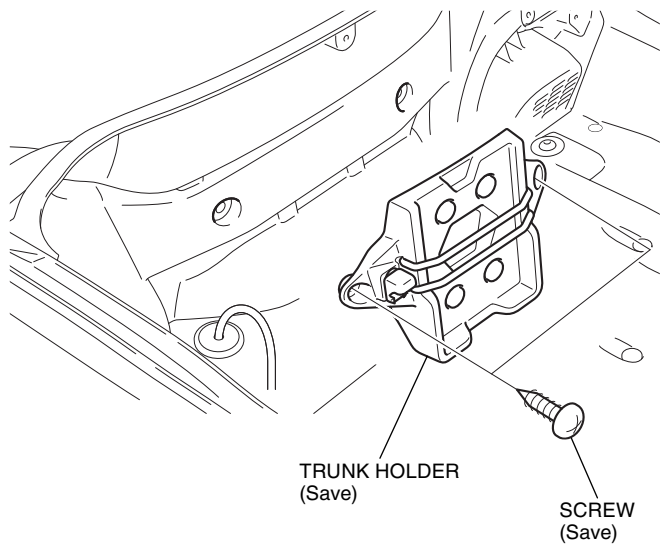


- Remove the USB cord as shown.

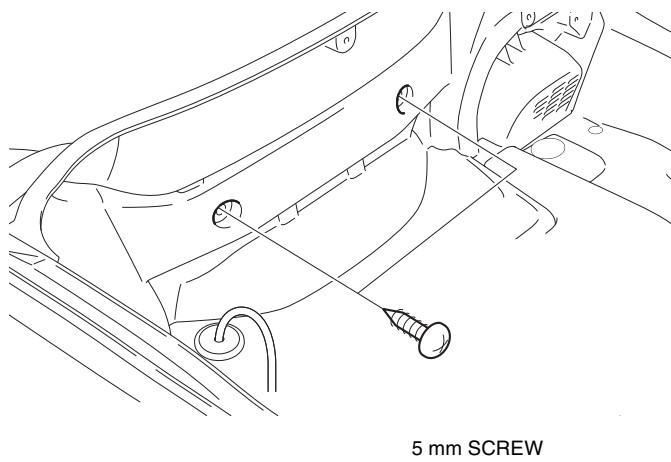
- Perform this step on GL1800DA only.



3. Remove the trunk holder as shown.
- **Perform this step on GL1800DA only.**



4. Install the 5mm screws as shown.
- **Perform this step on GL1800DA only.**



5. Install the trunk lid organizer as shown.

