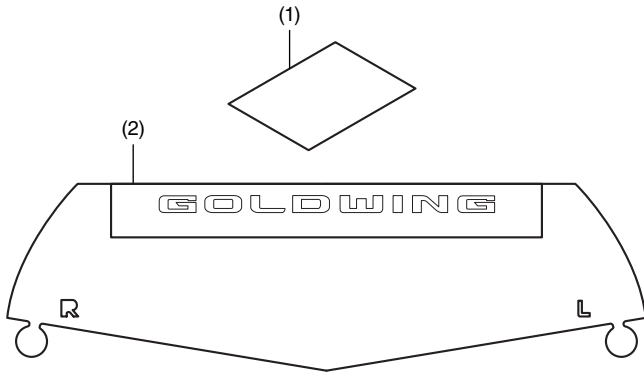


Honda Dealer: Please give a copy of these instructions to your customer.

PARTS LIST



| No. | Description | Qty |
|-----|-------------------------------|-----|
| (1) | Installation instructions URL | 1 |
| (2) | Emblem | 2 |

SUPPLIES REQUIRED

Isopropyl alcohol

Shop towel

INSTALLATION

▲ CAUTION

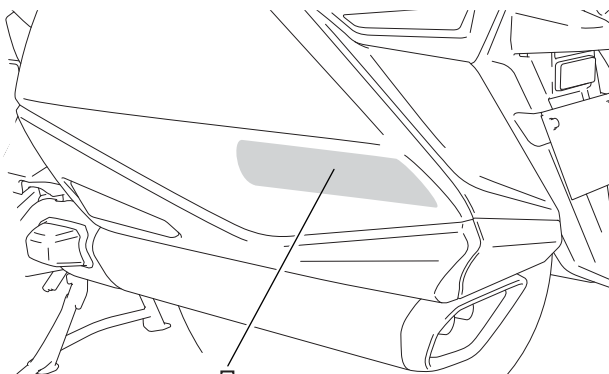
- To prevent burns, allow the engine, exhaust system, radiator, etc., to cool before installing the accessory.

NOTE:

- Heat the bonding surfaces with a hair dryer if the ambient air temperature is below 70°F (21°C).
- The adhesive reaches full strength in 72 hours. Wait at least 24 hours before riding your motorcycle.

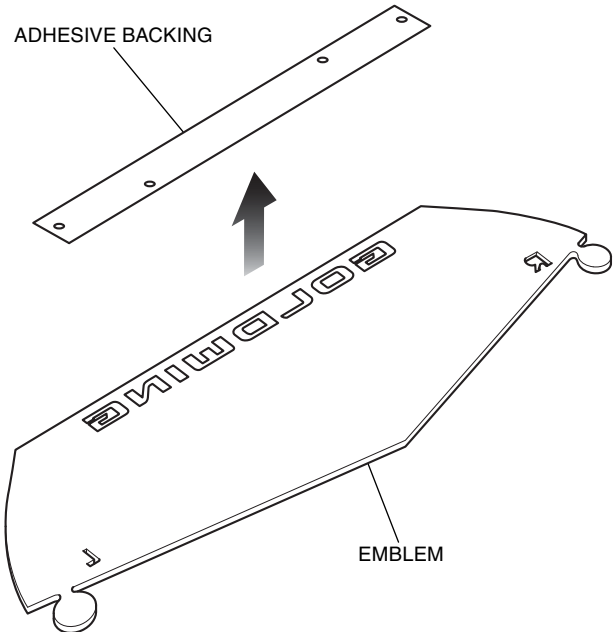
- Clean the surface of the area shown using isopropyl alcohol.

<Left side>

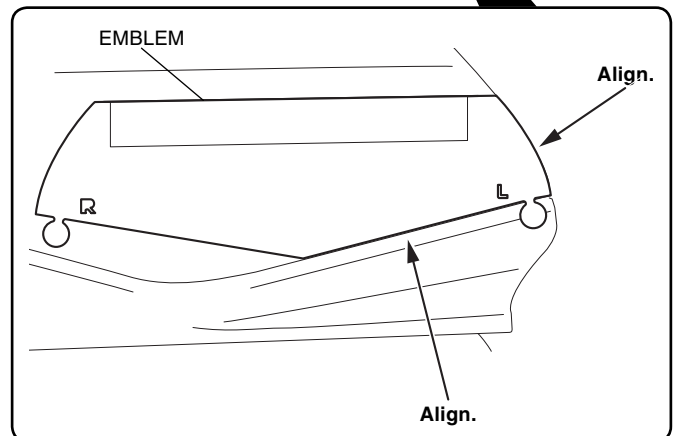
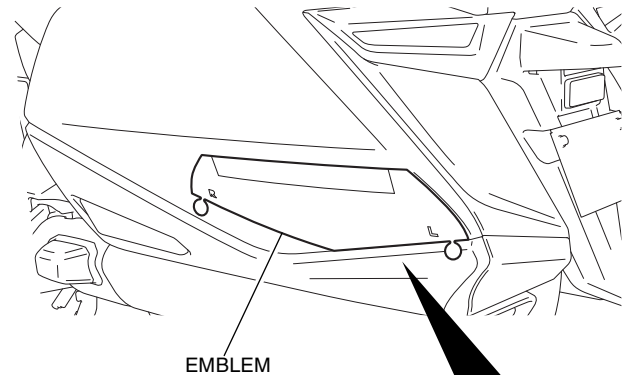


ISOPROPYL ALCOHOL

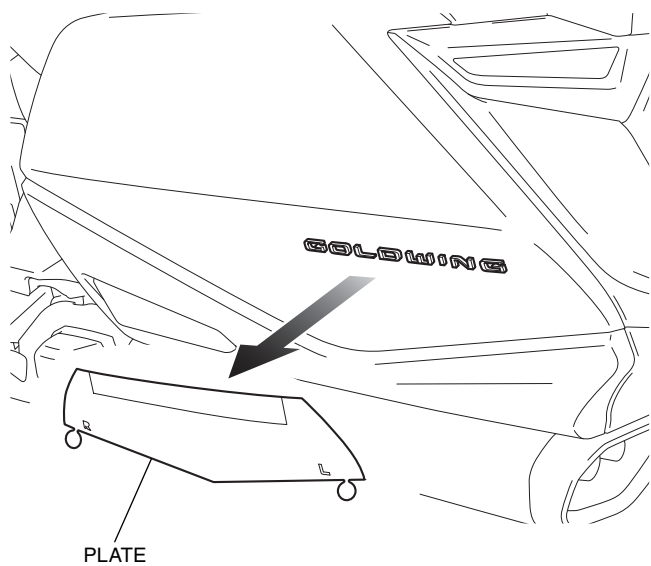
- Remove the adhesive backing as shown.



- Attach the emblem as shown.



4. Remove the plate as shown.



5. Install the right side of the emblem in the same manner as the left side.