

# HONDA

## INSTALLATION INSTRUCTIONS

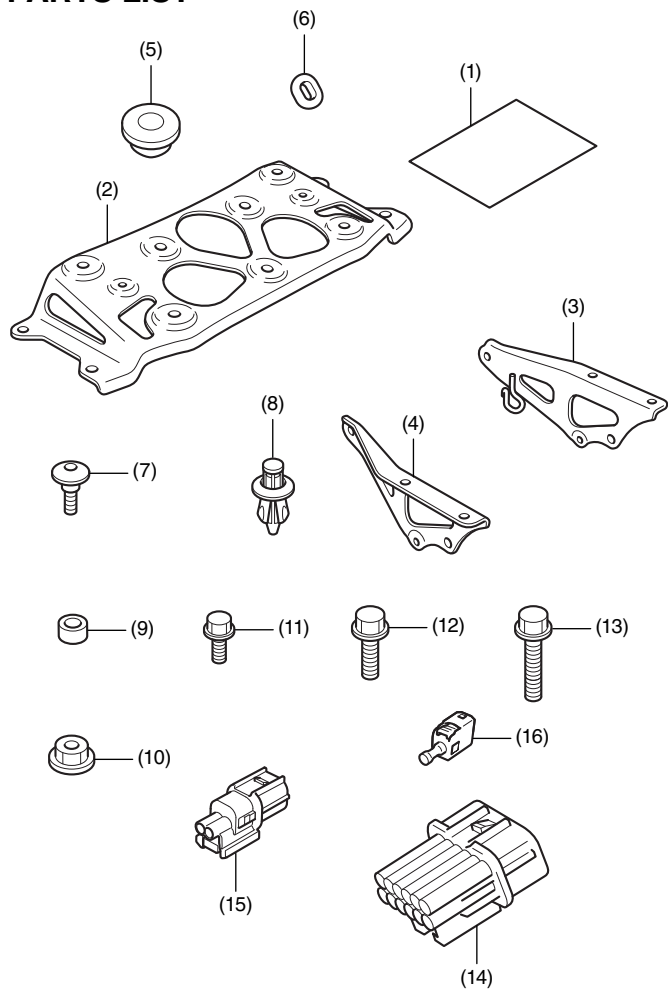
Accessory  
**TRUNK REMOVAL KIT**  
**P/N 08F71-MKC-A00**

Application  
**GL1800/D/DA**

Publication No.  
**MII 16426**  
 Issue Date  
**January 2018**

**Honda Dealer: Please give a copy of these instructions to your customer.**

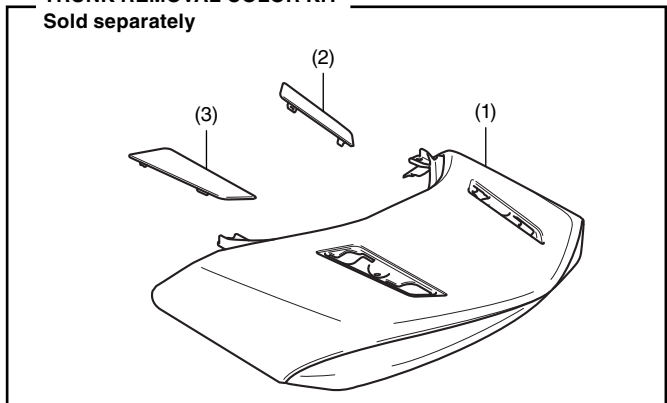
### PARTS LIST



| No.  | Description                       | Qty |
|------|-----------------------------------|-----|
| (1)  | Installation Instructions URL     | 1   |
| (2)  | Rear cross plate                  | 1   |
| (3)  | Right luggage stay                | 1   |
| (4)  | Left luggage stay                 | 1   |
| (5)  | Hole plug                         | 1   |
| (6)  | Grommet                           | 4   |
| (7)  | 5 mm screw                        | 2   |
| (8)  | Clip                              | 2   |
| (9)  | Collar                            | 4   |
| (10) | 8 mm flange nut                   | 4   |
| (11) | 6 mm flange bolt                  | 2   |
| (12) | 8 mm flange bolt (short)          | 4   |
| (13) | 8 mm flange bolt (long)           | 4   |
| (14) | 12-pin waterproof dummy connector | 1   |
| (15) | 2-pin waterproof dummy connector  | 1   |
| (16) | Jack cap                          | 1   |

### TRUNK REMOVAL COLOR KIT

Sold separately



| No. | Description           | Qty |
|-----|-----------------------|-----|
| (1) | Center rear top cover | 1   |
| (2) | Right rear top lid    | 1   |
| (3) | Left rear top lid     | 1   |

### TOOLS AND SUPPLIES REQUIRED

- Socket (10 and 12 mm)
- Ratchet
- Box-end wrench (12 mm)
- Hex wrench (5 mm)
- Dish soap solution (Water:Dish soap / 100:1)
- Shop towel
- Torque wrench

### TORQUE CHART

Tighten all screws, bolts, and nuts to their specified torque values. Refer to the Service Manual for the torque values of the removed parts.

| Item                     | N-m | kgf-m | lbf-ft |
|--------------------------|-----|-------|--------|
| 5 mm screw               | 4.2 | 0.4   | 3.1    |
| 6 mm flange bolt         | 12  | 1.2   | 9      |
| 8 mm flange bolt and nut | 27  | 2.8   | 20     |

# INSTALLATION

## ▲ CAUTION

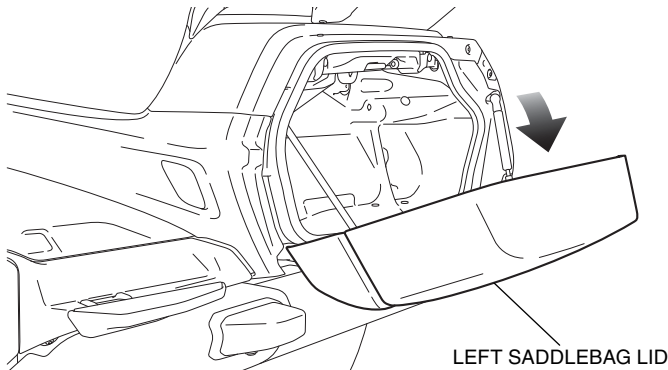
- To prevent burns, allow the engine, exhaust system, radiator, etc., to cool before installing the accessory.

### NOTE:

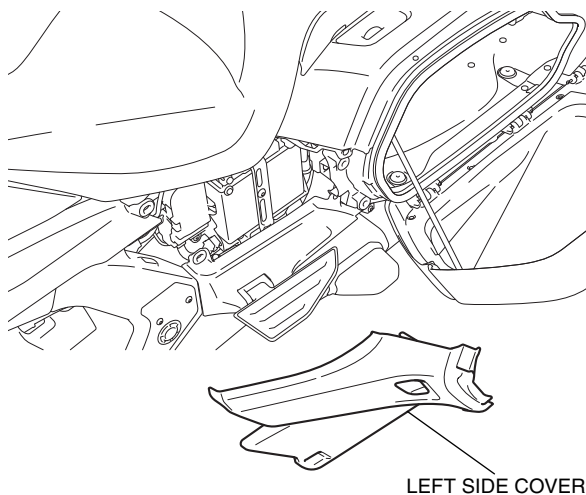
- Disconnect the negative (-) cable from the battery before installing this accessory.
- The memory of the clock will be erased when you disconnect the battery. Reset the clock after reconnecting the battery.
- Reinstall the removed parts on the motorcycle and make sure that the wires and harnesses are not pinched.

1. Open the left saddlebag lid as shown.
  - Repeat on the right side.

<Left side>

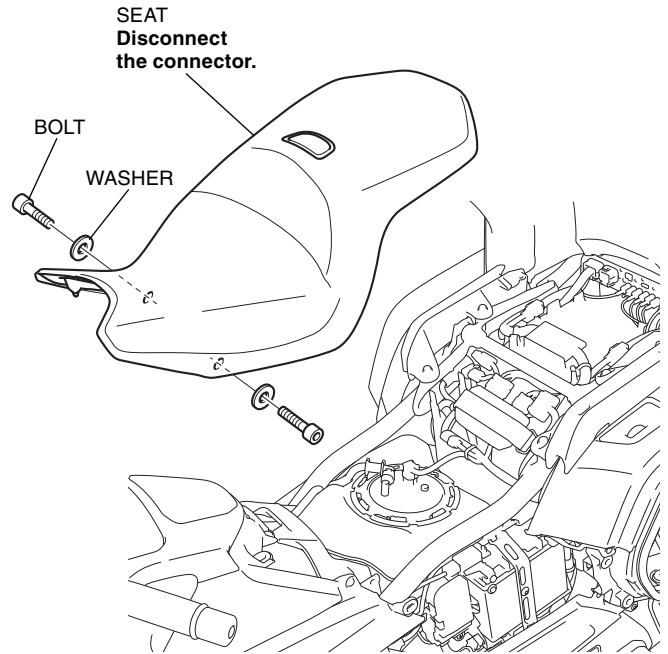


2. Remove the left side cover as shown, and disconnect the negative (-) cable of the battery.

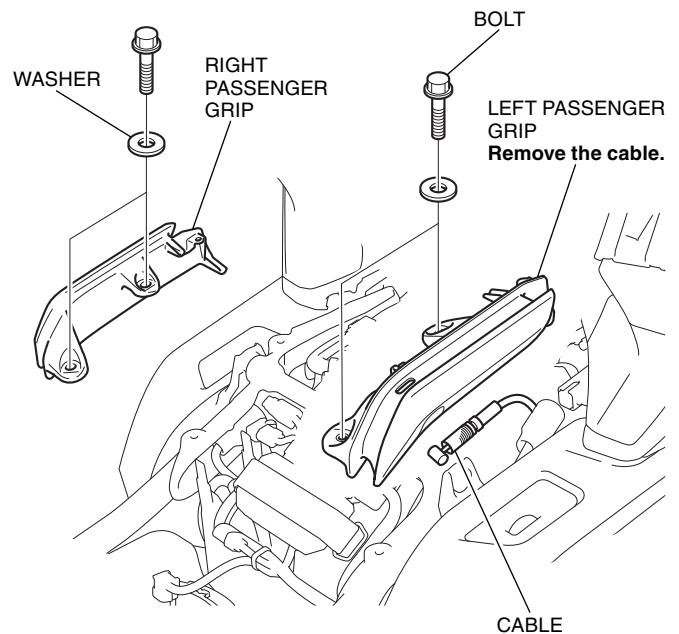


3. Remove the right side cover in the same manner as the left side.

4. Remove the seat as shown.

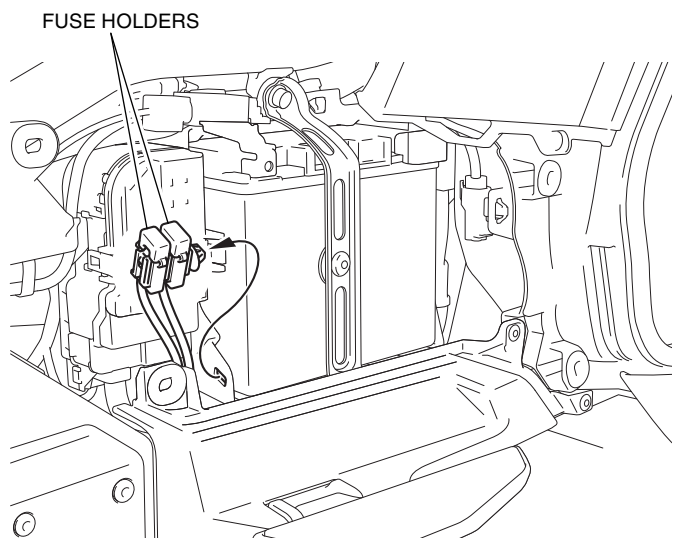


5. Remove the right and left passenger grips as shown.



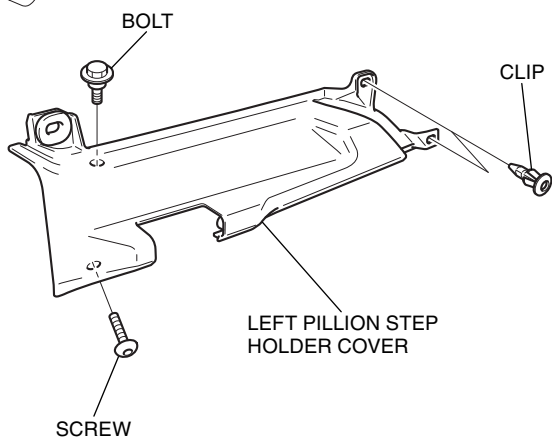
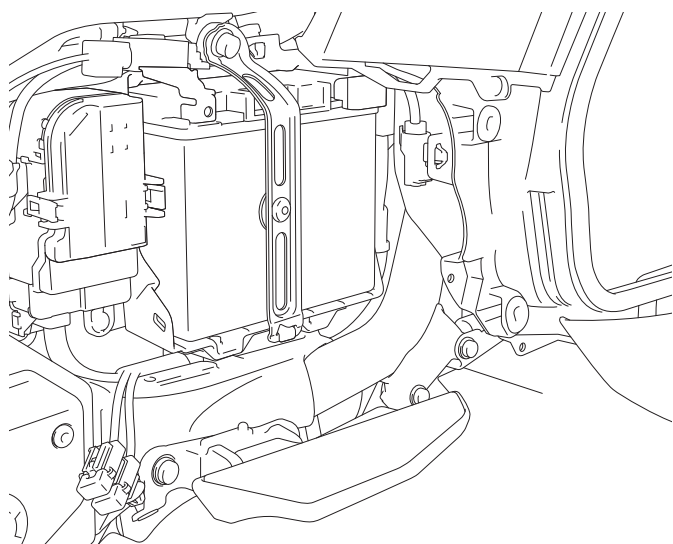
6. Remove the fuse holders as shown.

<Left side>



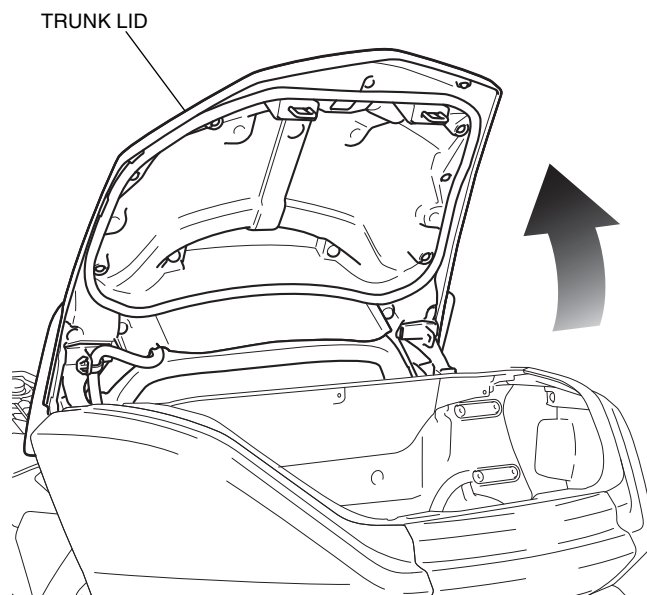
7. Remove the left pillion step holder cover as shown.

• Repeat on the right side.



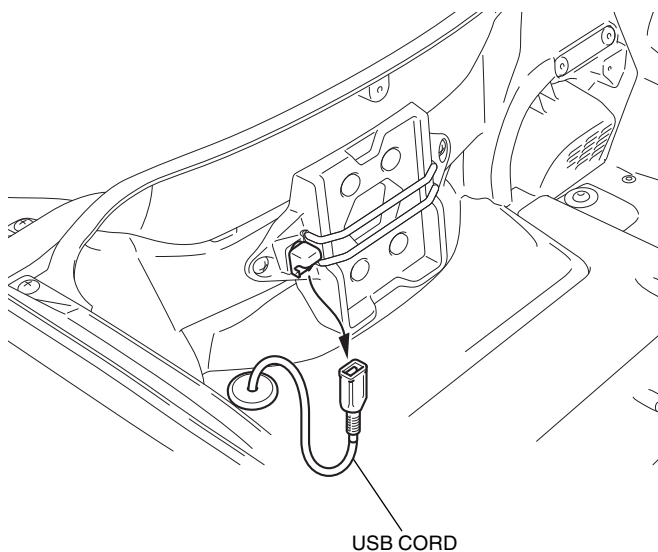
8. Open the trunk lid as shown.

• Refer to the Owner's Manual and using an emergency trunk cable to open the rear trunk lid.

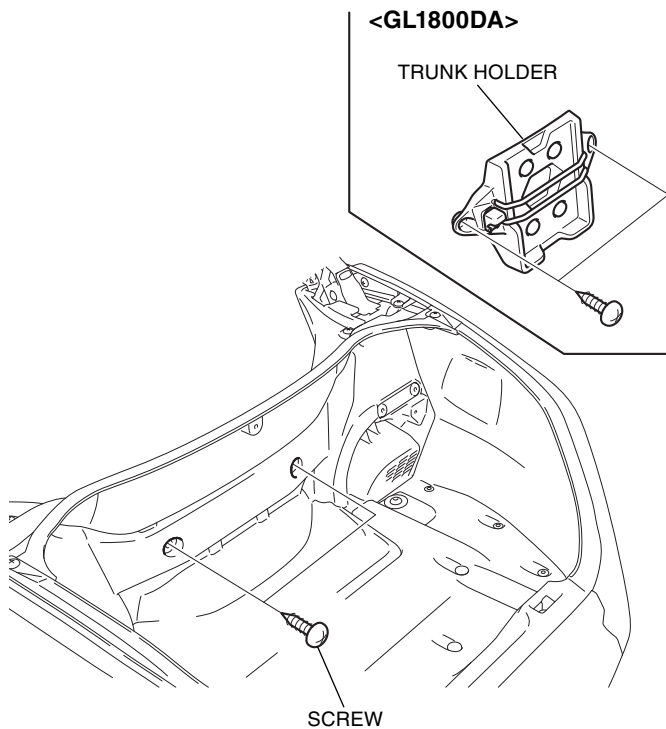


9. Remove the USB cord as shown.

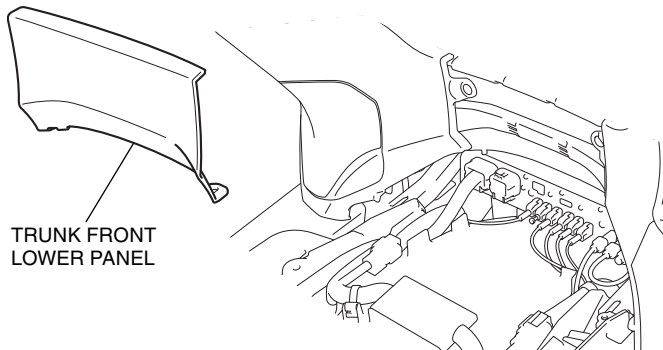
• Perform this step on GL1800DA only.



10. Remove the parts as shown.

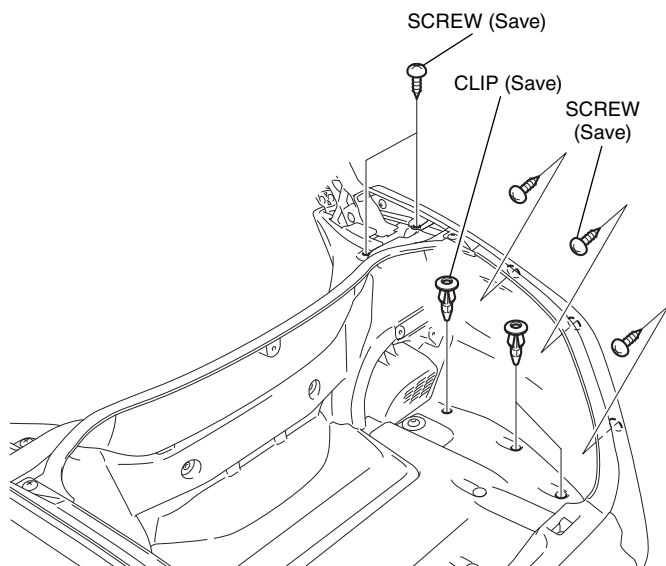


11. Remove the trunk front lower panel as shown.



12. Remove the parts as shown.

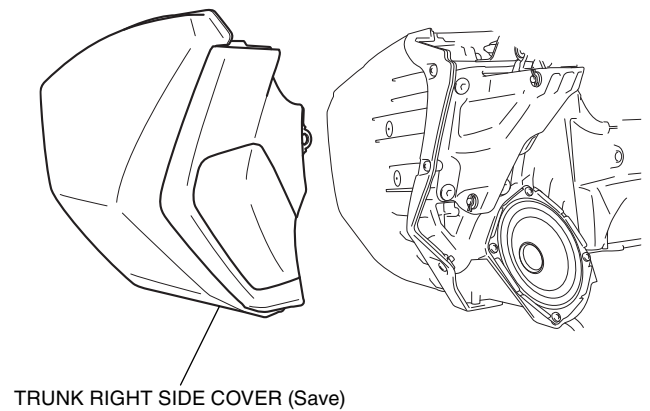
• Repeat on the left side.



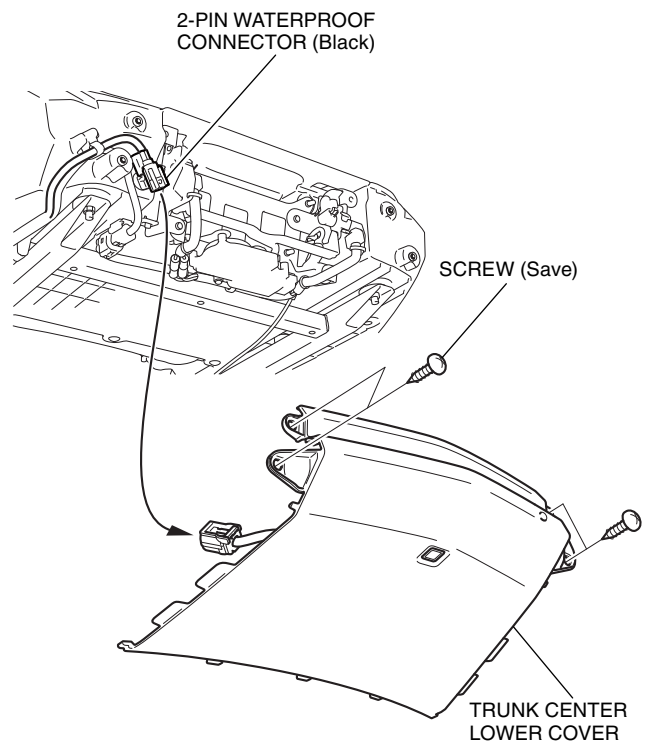
13. Remove the trunk right side cover as shown.

• Repeat on the left side.

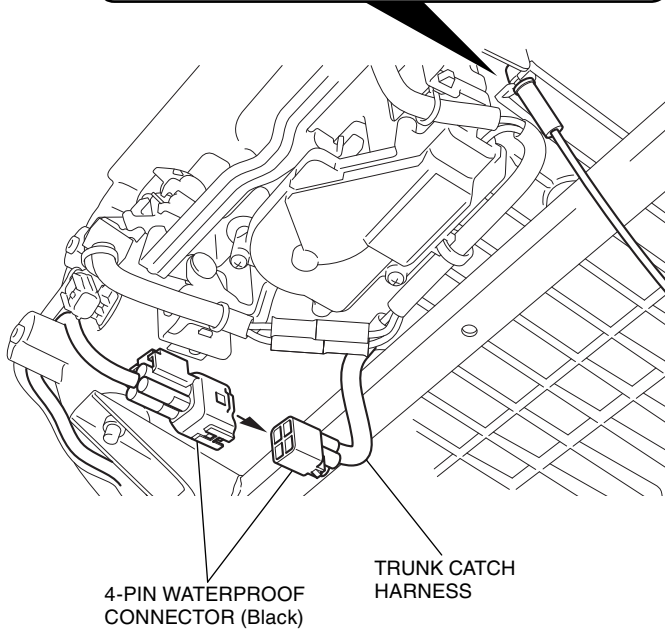
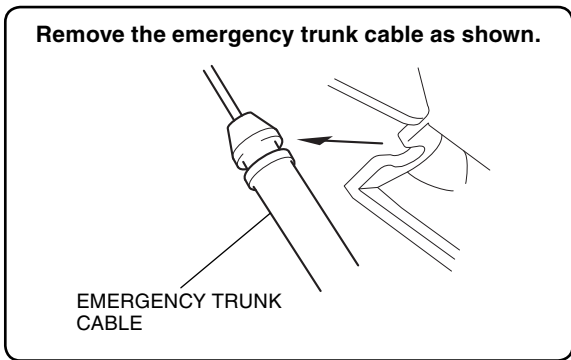
<Right side>



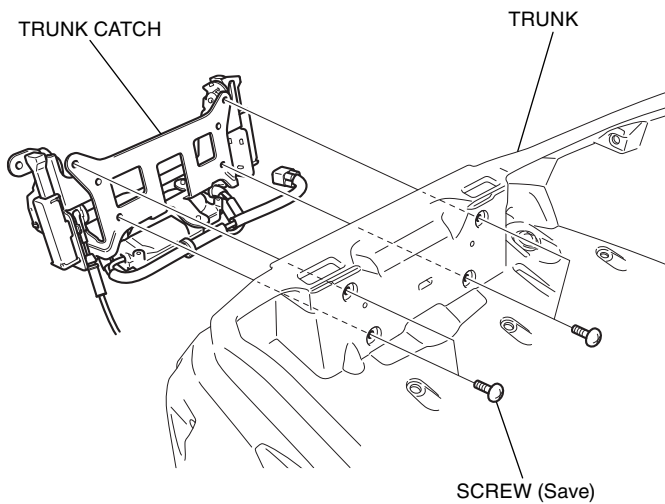
14. Disconnect the connector and remove the trunk center lower cover as shown.



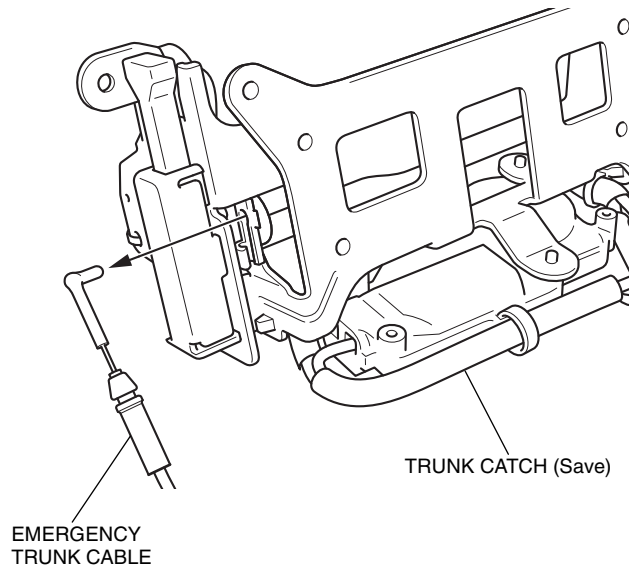
15. Disconnect the trunk catch harness as shown.



16. Remove the trunk catch as shown.

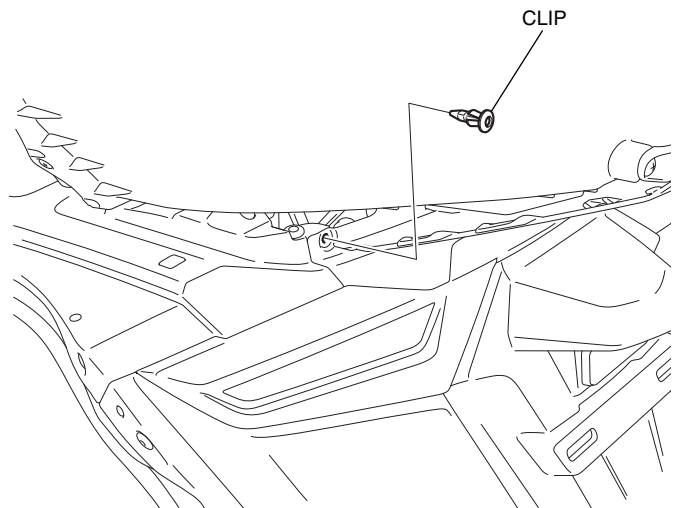


17. Remove the emergency trunk cable from the trunk catch as shown.

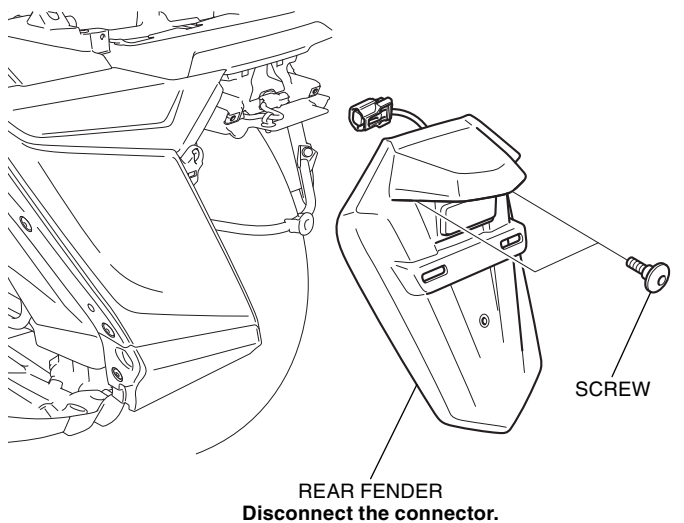


18. Remove the clips as shown.  
• Repeat on the right side.

<Left side>

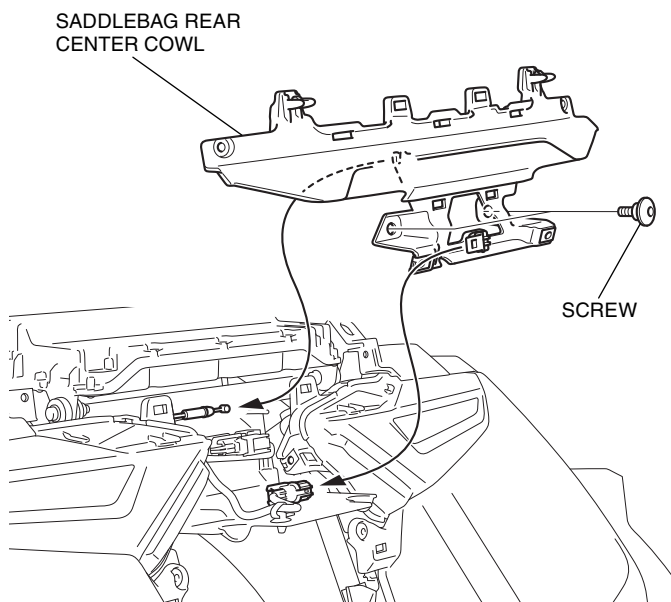


19. Remove the rear fender as shown.





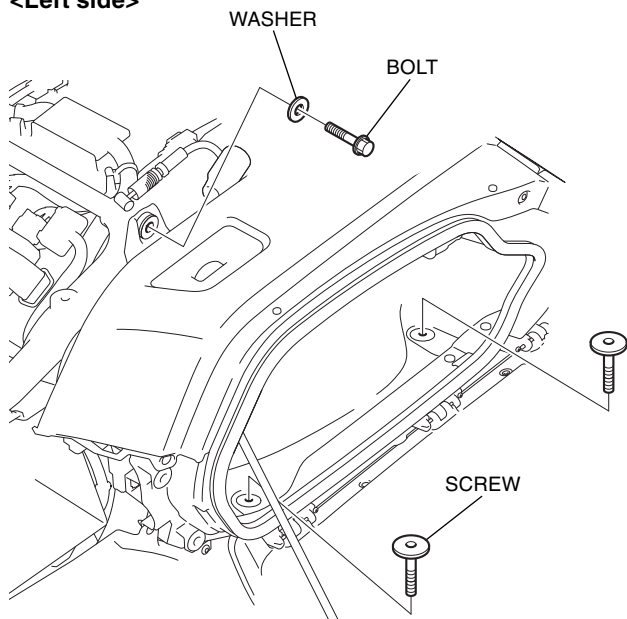
20. Remove the saddlebag rear center cowl as shown.



21. Remove the parts as shown.

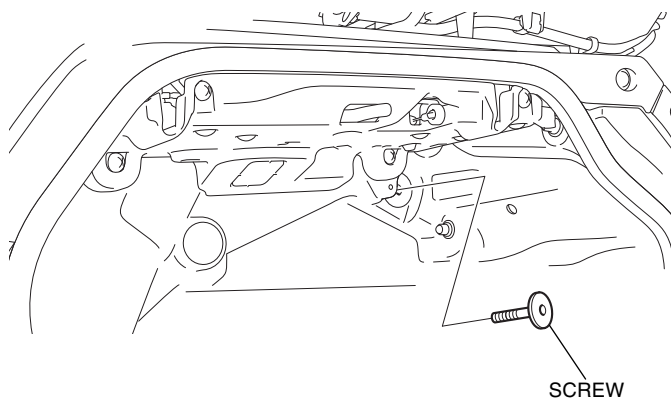
- Repeat on the left side.

<Left side>



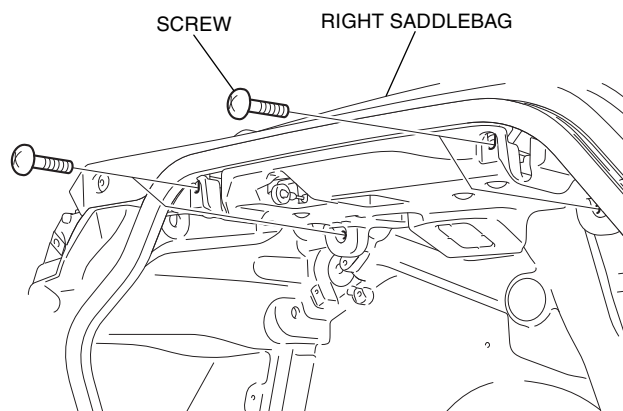
22. Remove the screw as shown.

- Repeat on the left side.

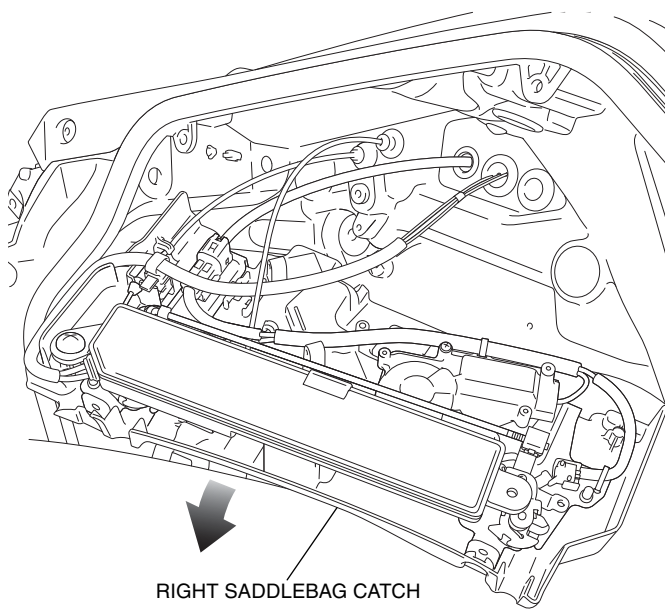


23. Remove the screws as shown.

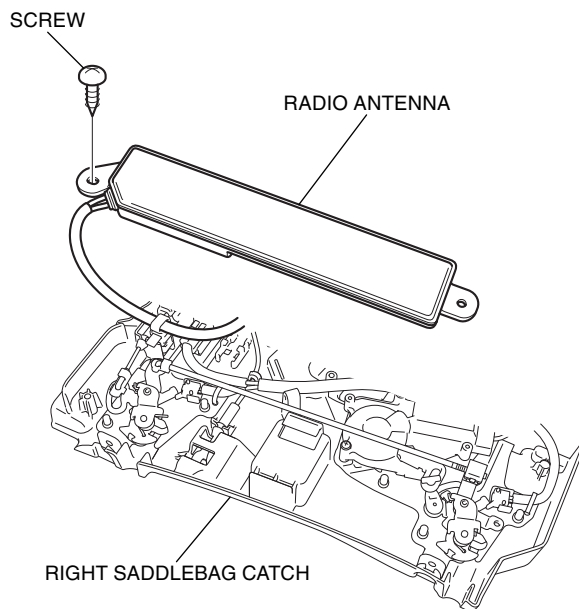
<Right side>



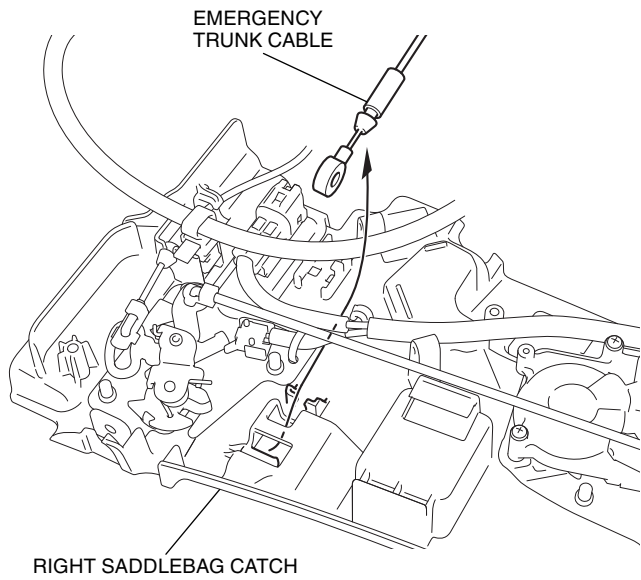
24. Move the right saddlebag catch as shown.



25. Remove the radio antenna as shown.

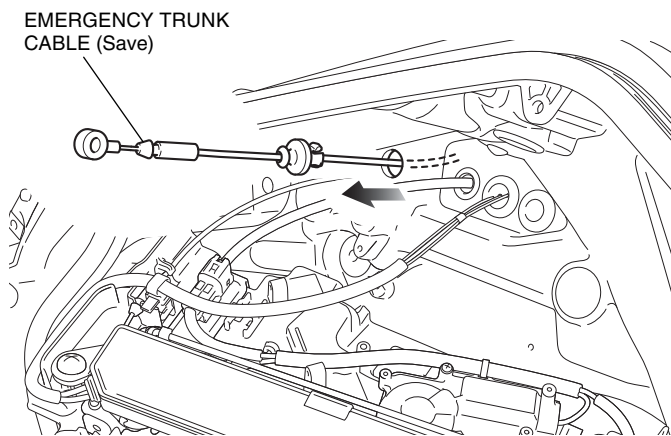


26. Remove the emergency trunk cable as shown.

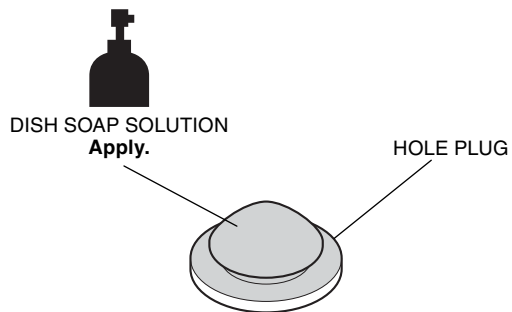


27. Install the radio antenna in the reverse order of removal.

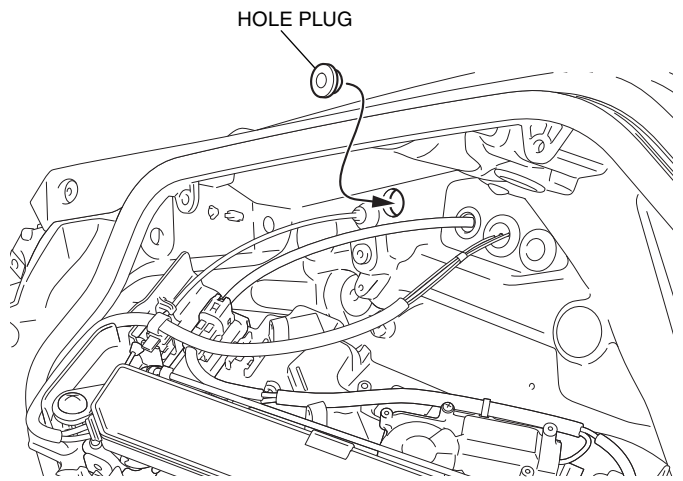
28. Remove the emergency trunk cable as shown.



29. Apply dish soap solution to the position shown.



30. Install the hole plug as shown.

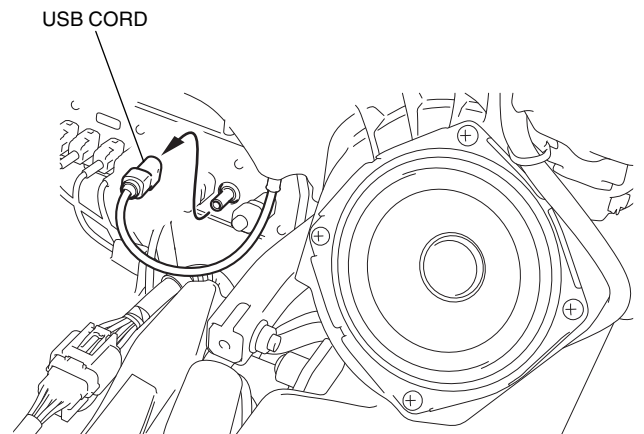


31. Install the right saddlebag catch in the reverse order of removal.

32. Remove the USB cord as shown.

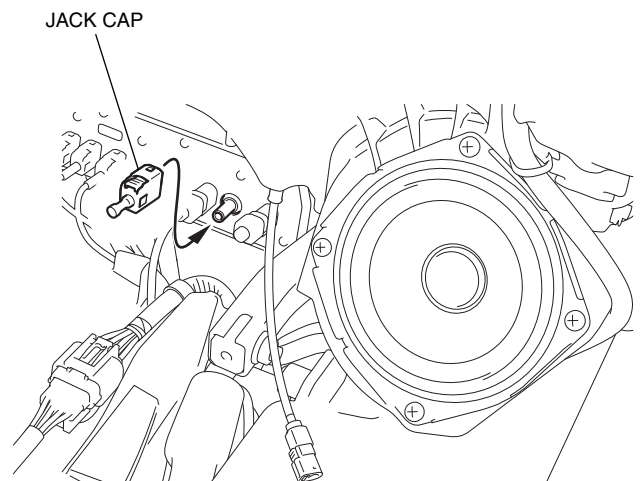
- Perform this step on GL1800DA only.

<Left side>

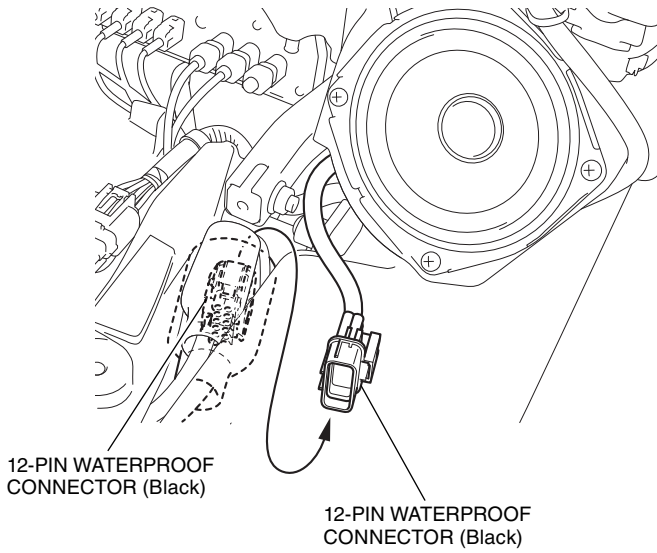


33. Install the jack cap as shown.

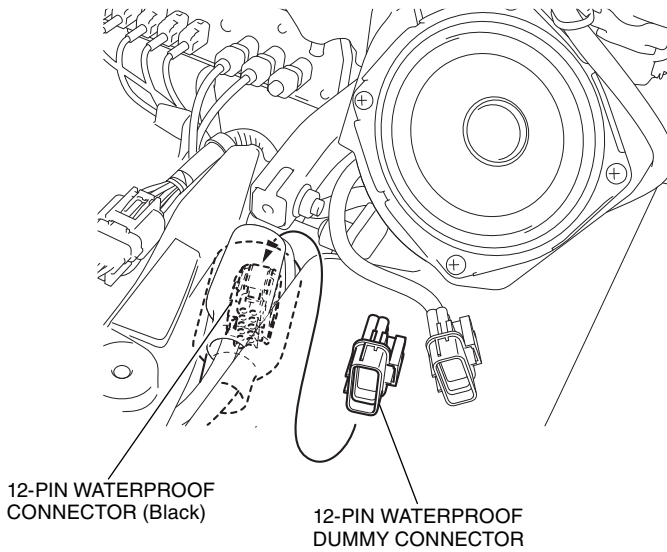
- Perform this step on GL1800DA only.



34. Disconnect the 12P black connector as shown.

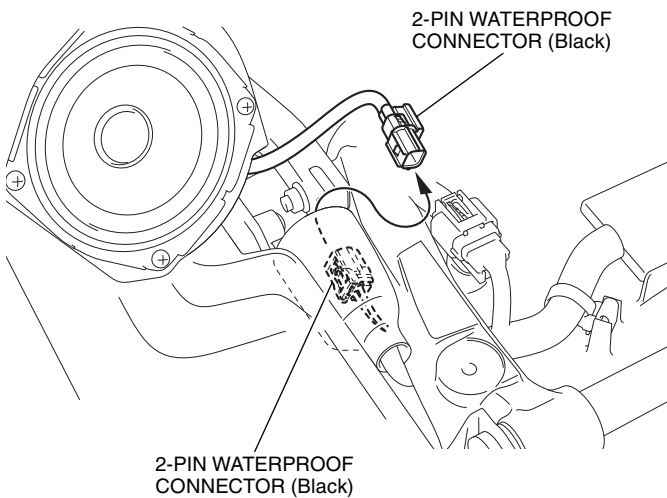


35. Install the dummy connector as shown.

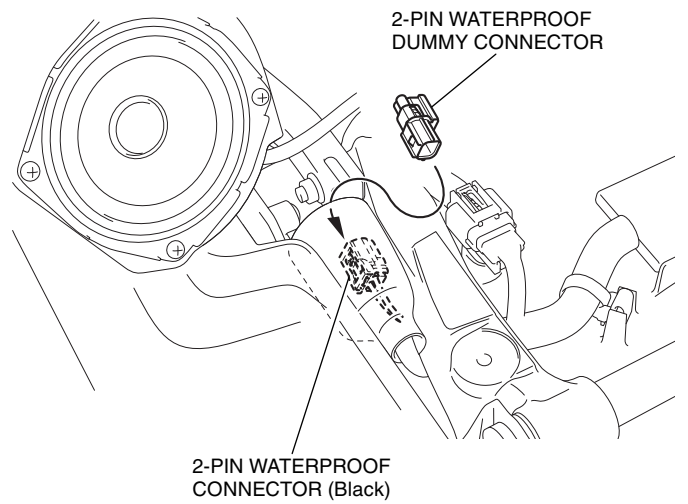


36. Disconnect the 2P black connector as shown.

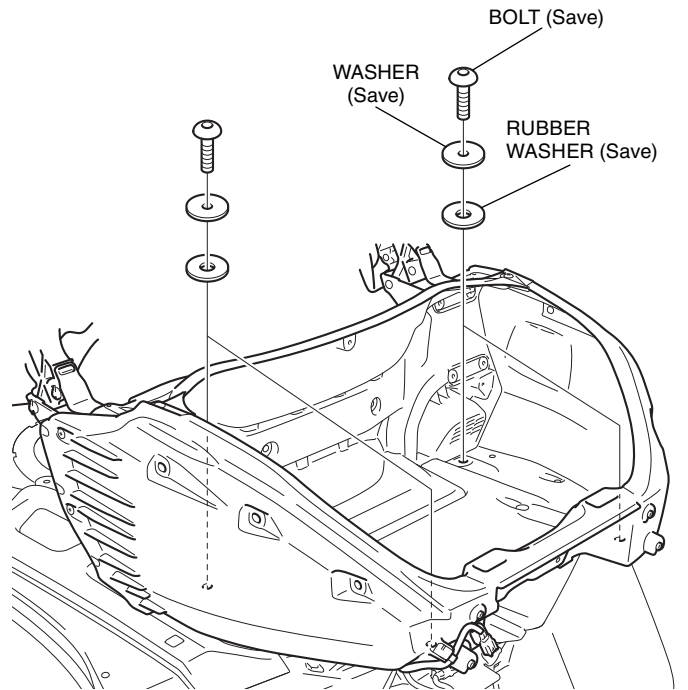
<Right side>



37. Install the dummy connector as shown.

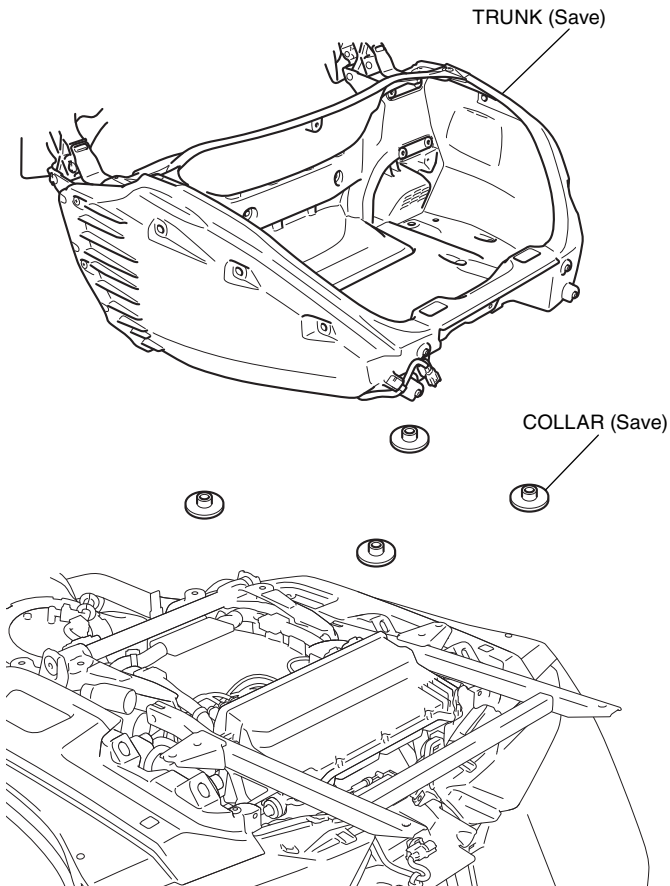


38. Remove the bolts as shown.

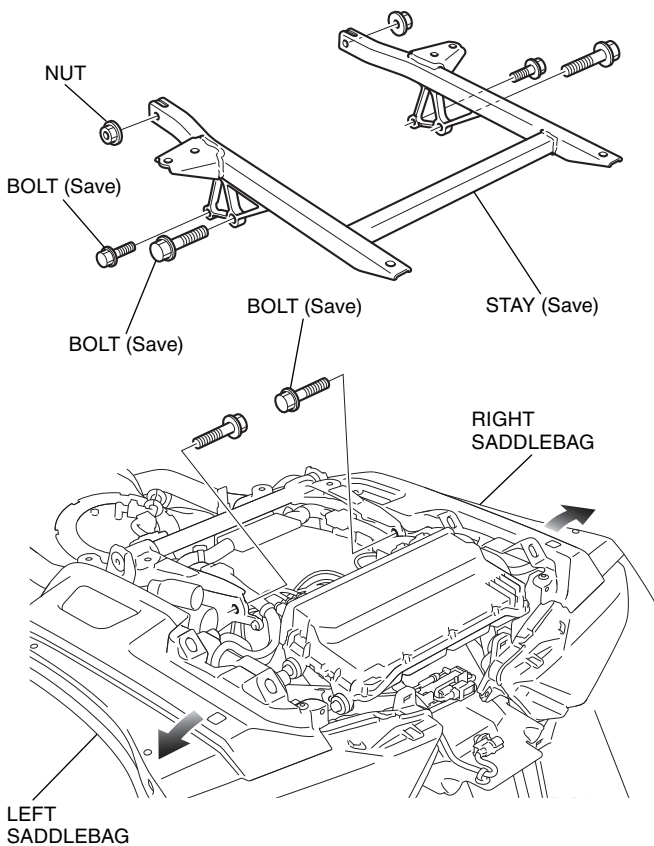




39. Remove the trunk as shown.



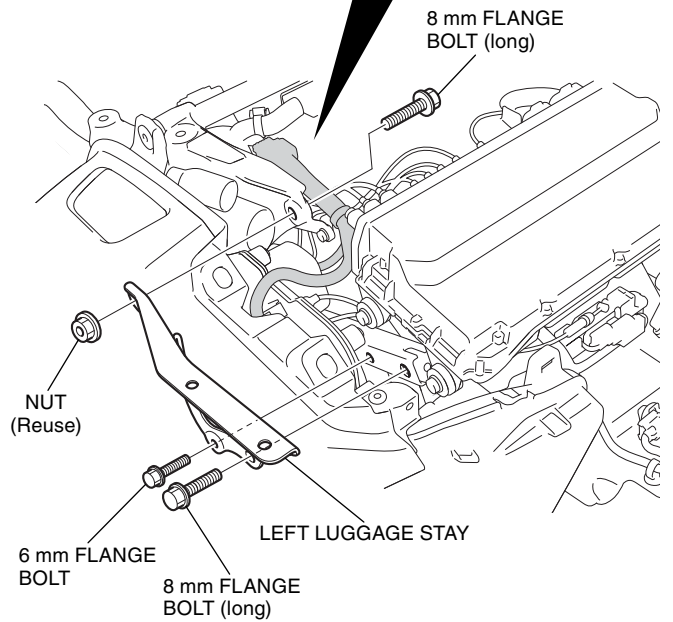
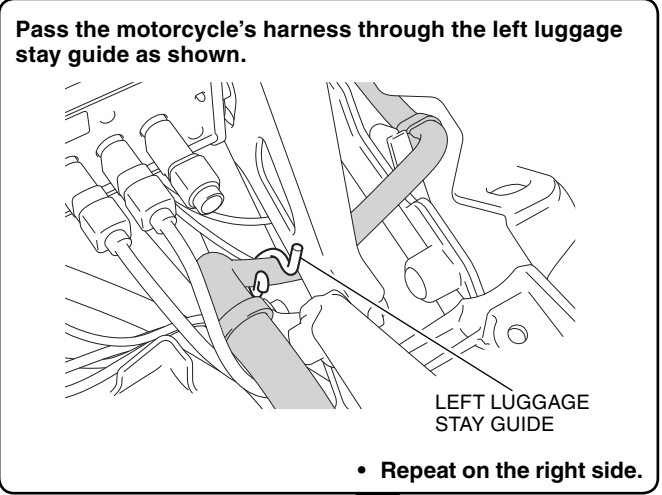
40. Move the right and left saddlebags and remove the stay as shown.



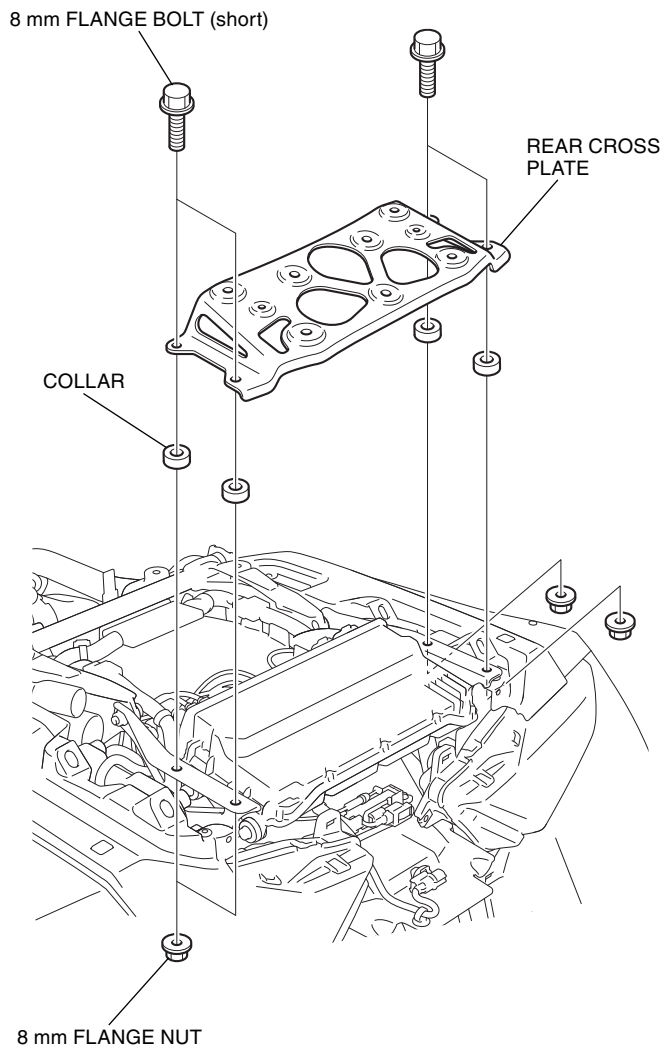
41. Install the left luggage stay as shown.

- Confirm that any wire harness is not caught or too tight.
- Repeat on the right side.

<Left side>



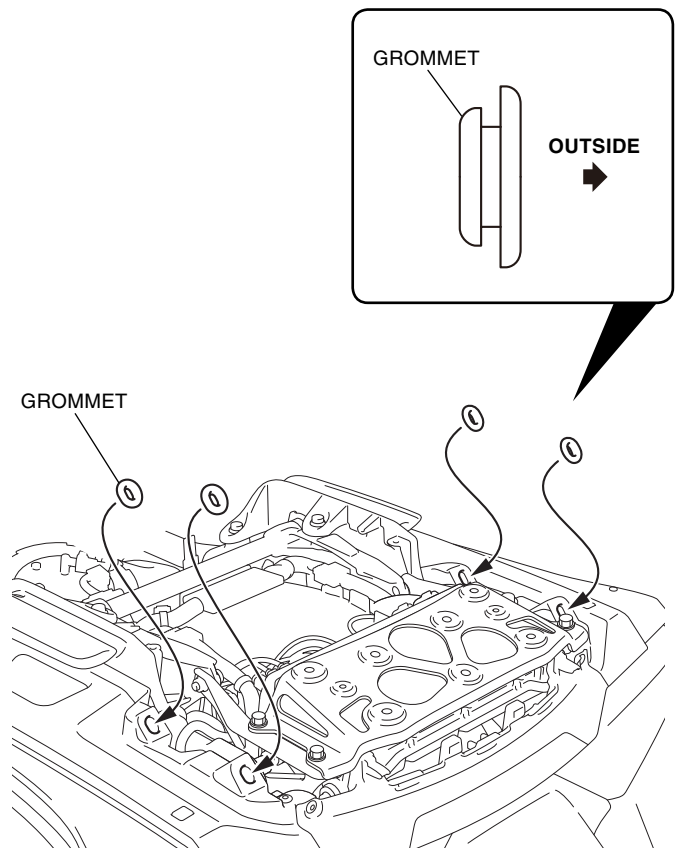
42. Install the rear cross plate as shown.



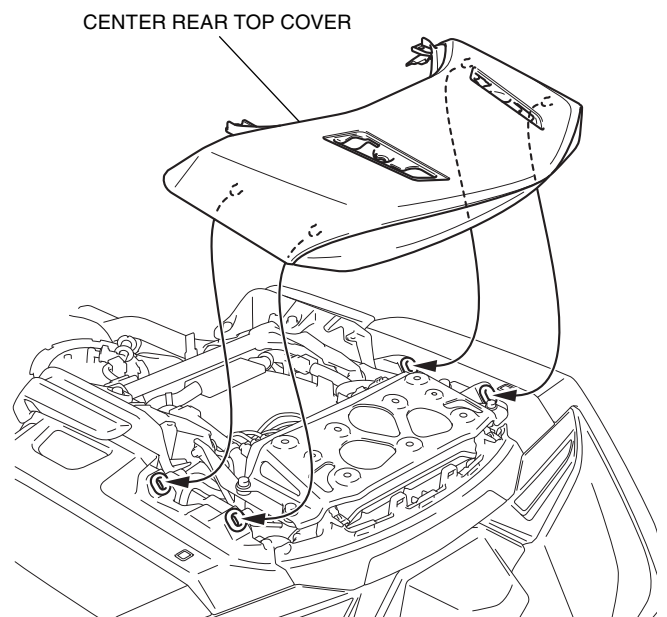
43. Install the right and left saddlebag in the reverse order of removal.

44. Install the saddlebag rear center cowl, rear fender, right and left passenger grip in the reverse order of removal.

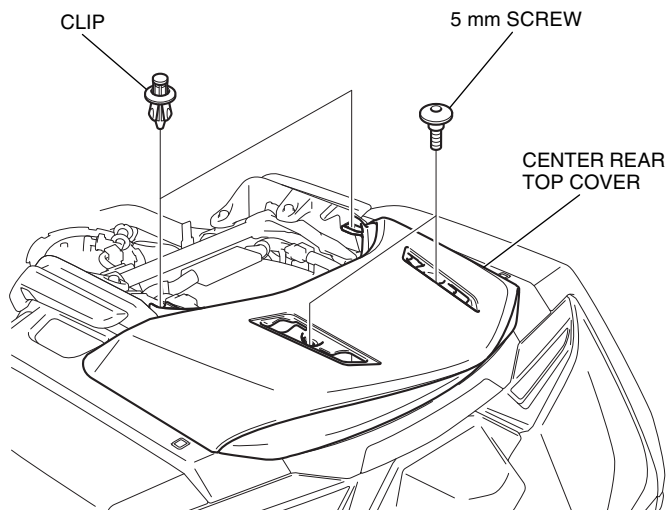
45. Install the grommets at the positions shown.



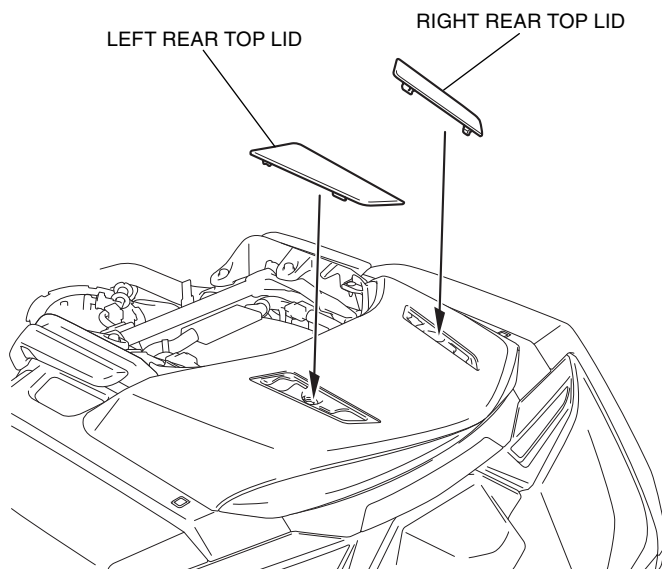
46. Install the center rear top cover as shown.



47. Install the clips and 5 mm screws as shown.



48. Install the right and left rear top lids as shown.



49. Install the motorcycle's parts in the reverse order of removal.

- **Confirm that any wire harness is not caught or too tight.**