



# INSTALLATION INSTRUCTIONS

Accessory

**CB RADIO KIT**  
P/N 08E95-MCA-100A  
08E70-MCA-R10

Application

'01-'10 GL1800

Publications No.

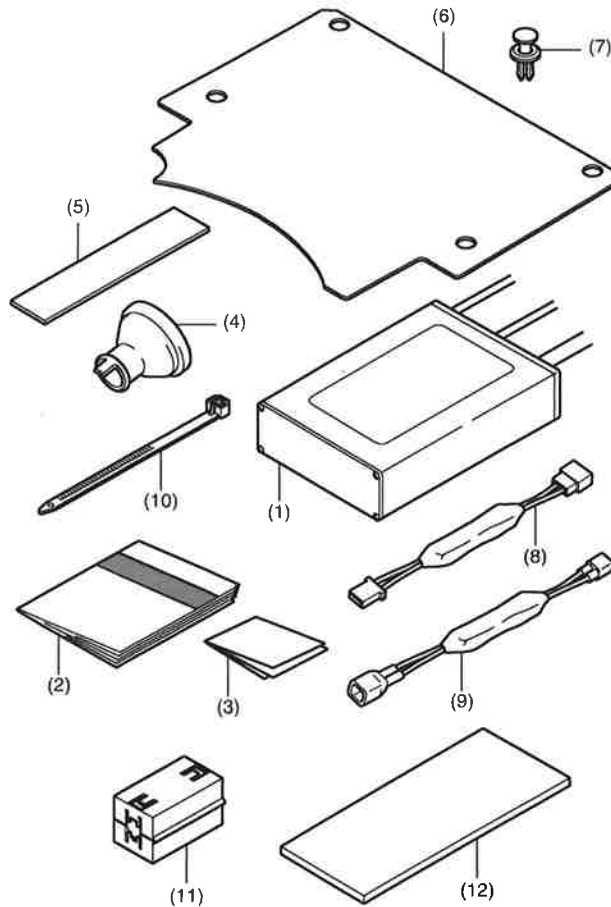
**MII 12487**

Issue Date

**July 2008**

**Honda Dealer: Please give a copy of these instructions to your customer.**

## PARTS LIST



No.	Description	Qty
(1)	CB radio	1
(2)	User's Guide	1
(3)	FCC Rule Book	1
(4)	Grommet	1
(5)	Cushion tape	4
(6)	Plate	1
(7)	Clips	4
(8)	Filter	2
(9)	Filter (waterproof)	1
(10)	Wire tie	3
(11)	Ferrite	1
(12)	Ferrite cushion	1

## TOOLS AND SUPPLIES REQUIRED

- Phillips® screwdriver
- Electric drill motor
- Drill bit (6.5 and 10 mm)
- Hole saw (28 mm)
- Scissors
- Wood block
- Isopropyl alcohol
- Torque wrench

## USE AND CARE INFORMATION

The combined weight of the cargo and accessories must not exceed the maximum weight capacity of the trunk:

CB Radio Kit	2.1 lbs (1.0 kg)
--------------	------------------

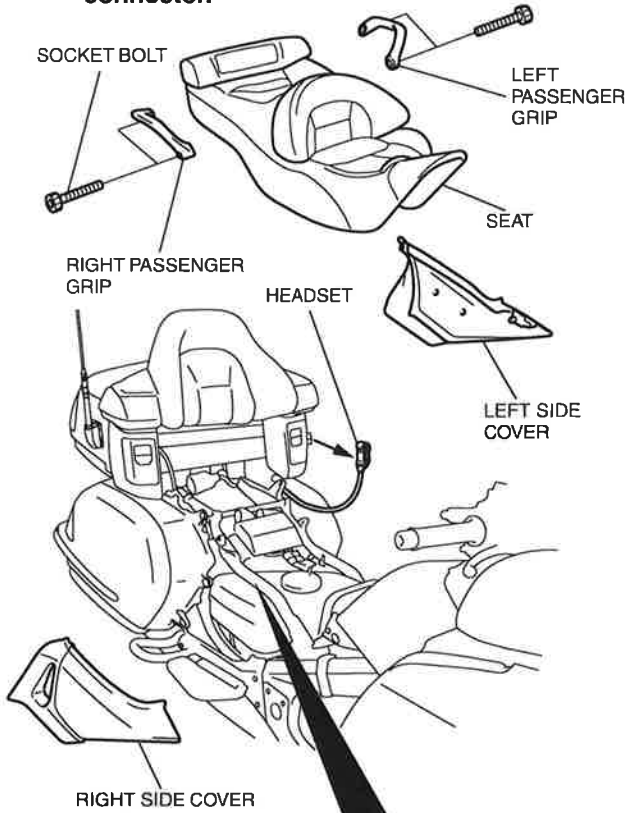
## INSTALLATION

### NOTE:

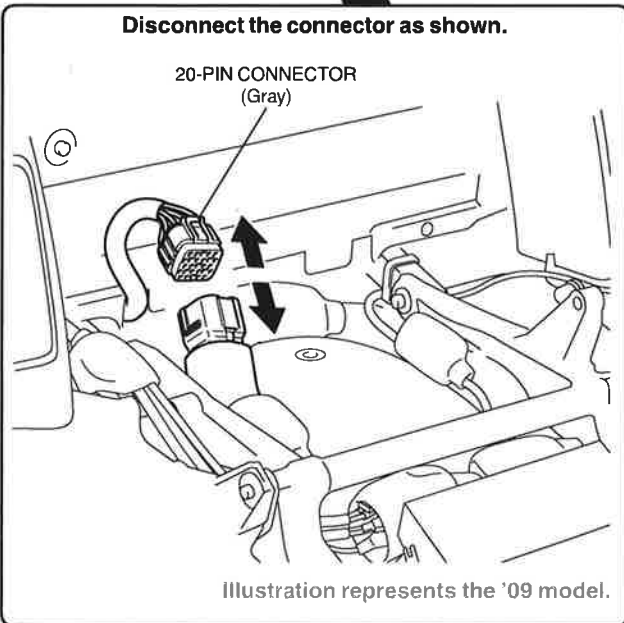
- These instructions are for installing the CB radio. For operation of the CB radio, refer to the User's Guide and FCC Rule Book packaged with the CB radio.
- Install the antenna (sold separately) after removing the rear trunk and before routing the wire harness.

1. Remove the right and left side covers and disconnect the negative cable from the negative battery terminal. Refer to the Service Manual for specific removal instructions.

- For models with a heated seat: Disconnect the connector.



Disconnect the connector as shown.



2. Disconnect the connectors as shown.

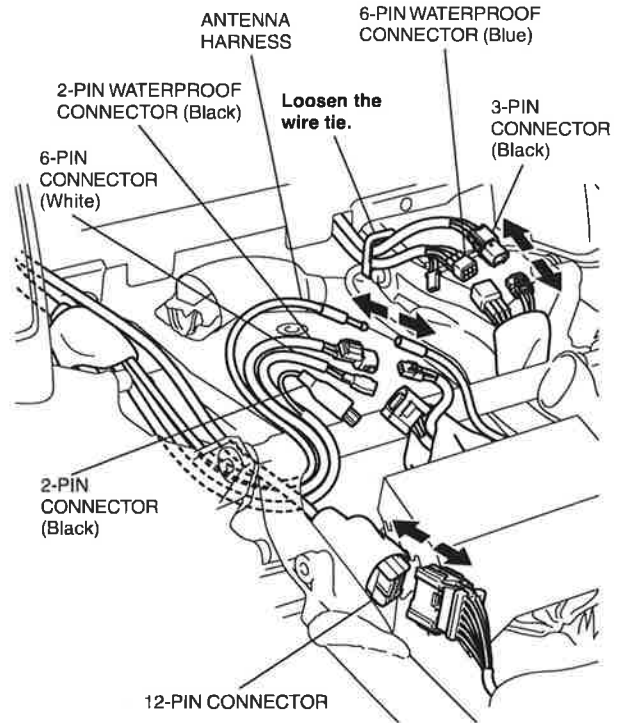


Illustration represents the '09 model.

3. Disconnect the connectors as shown.

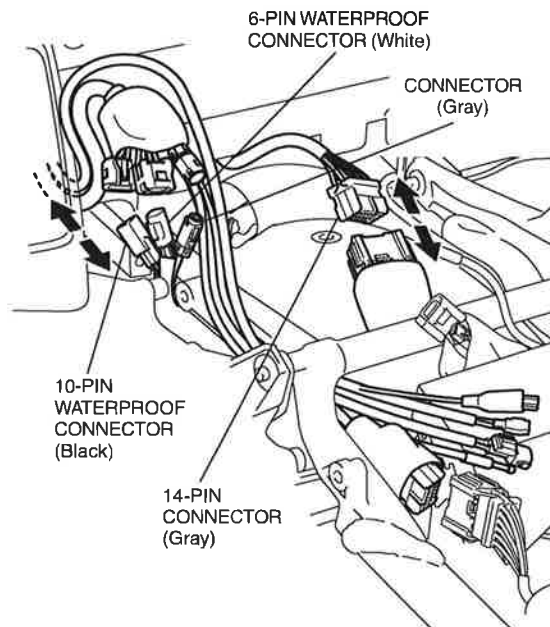
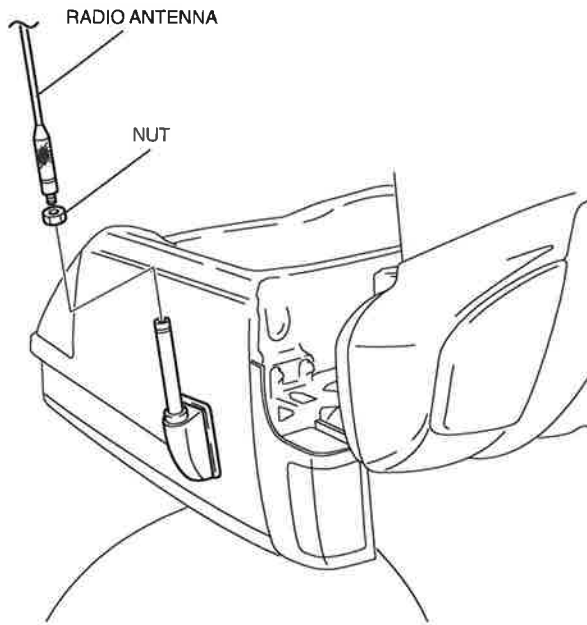
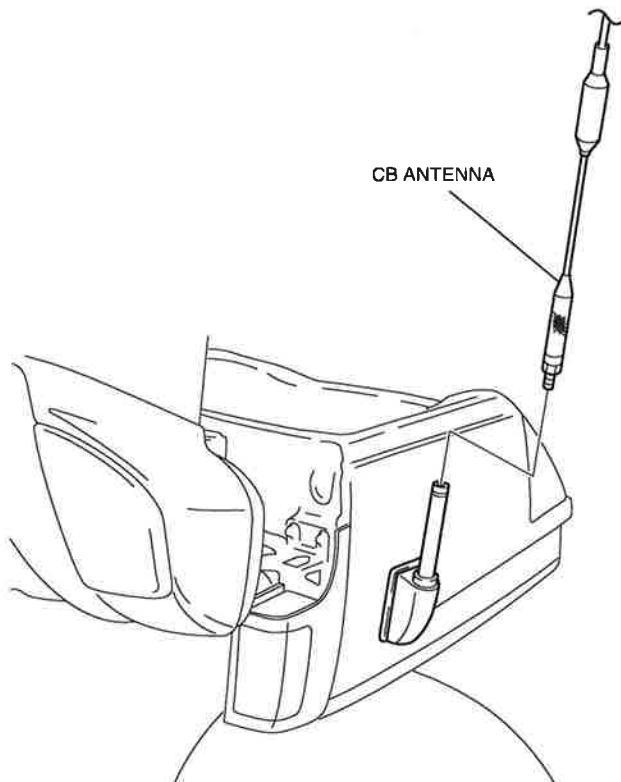


Illustration represents the '09 model.

4. Remove the radio antenna.



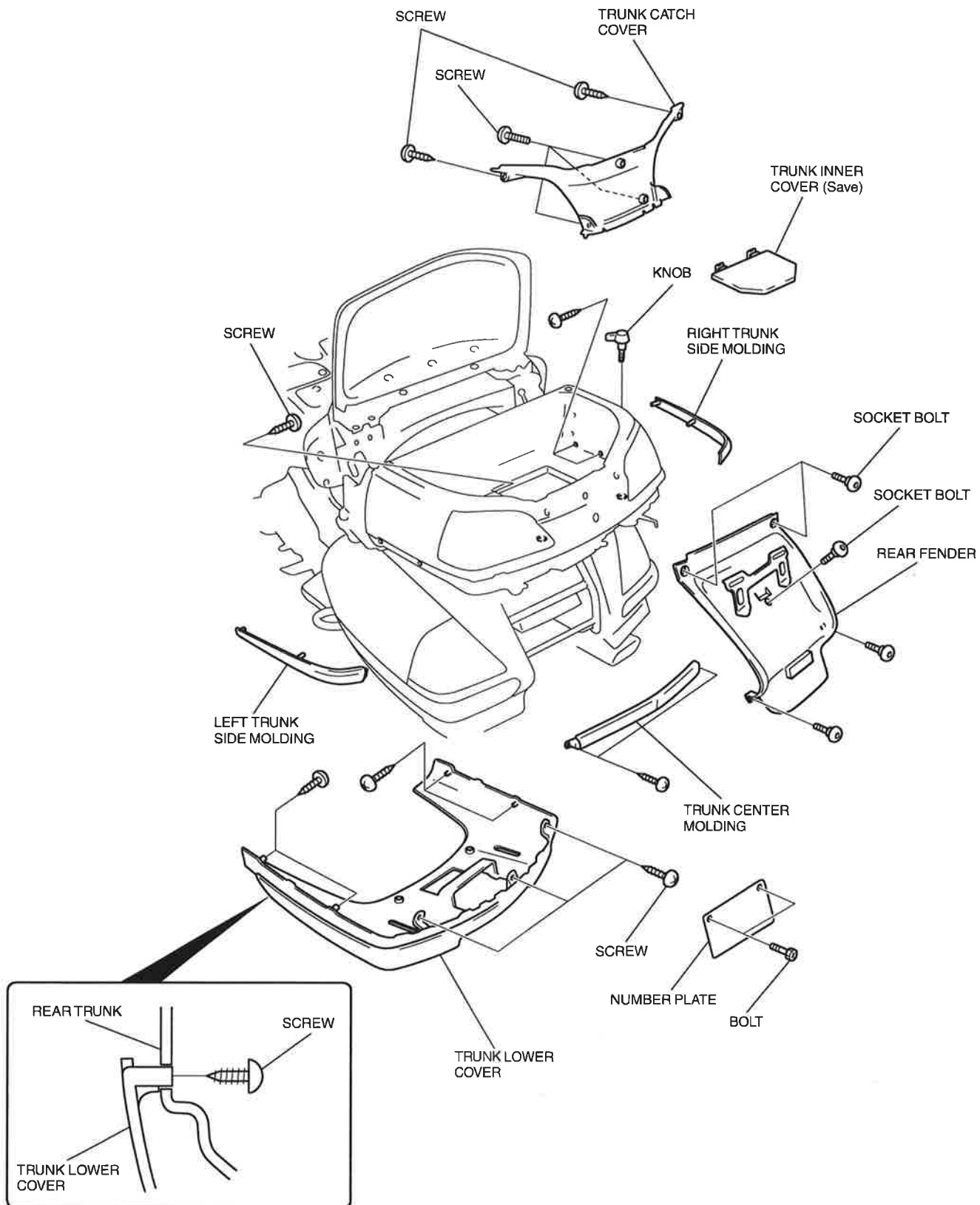
**If equipped with a CB antenna.**  
Remove the CB antenna.



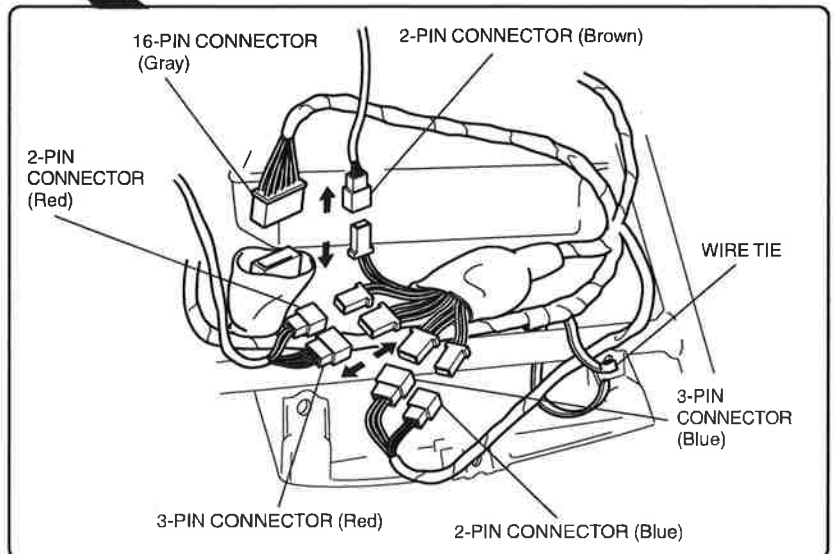
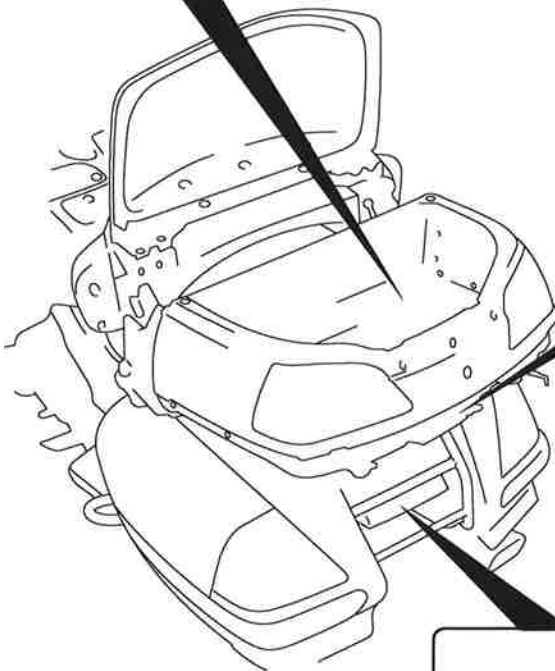
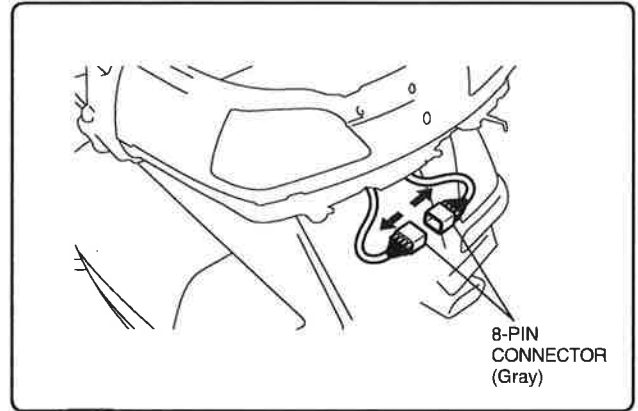
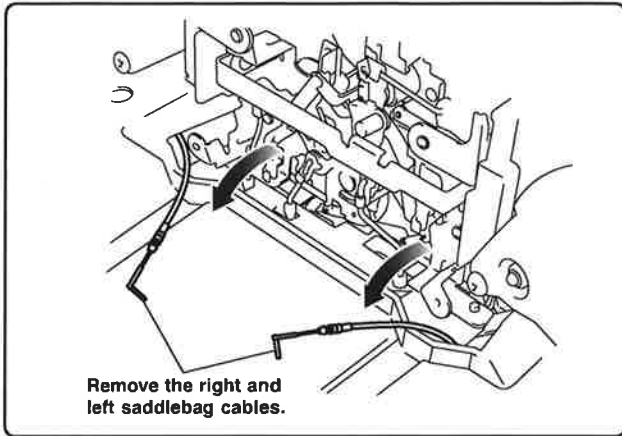
**If equipped with the passenger audio controller.**  
Remove the right rear pocket with the passenger audio controller attached.



- Remove the trunk inner cover, trunk catch cover, rear fender, number plate, right and left trunk side moldings, trunk center molding, trunk lower cover, and knob.

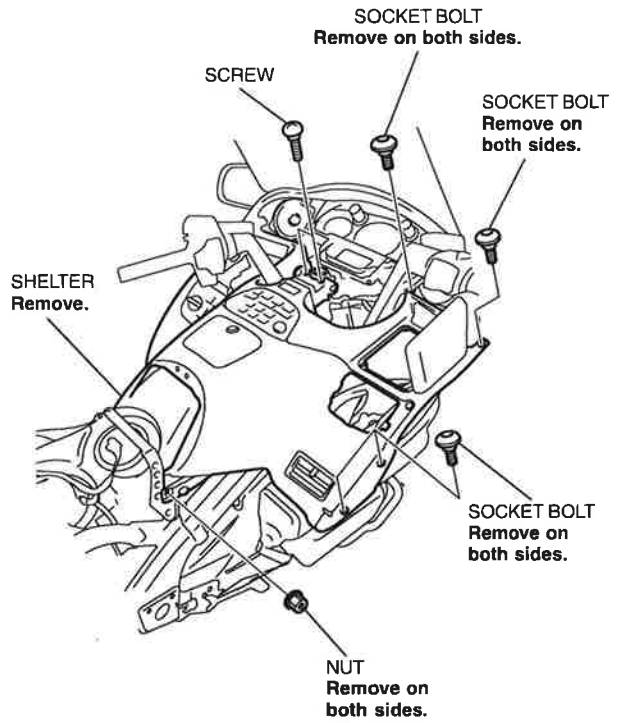
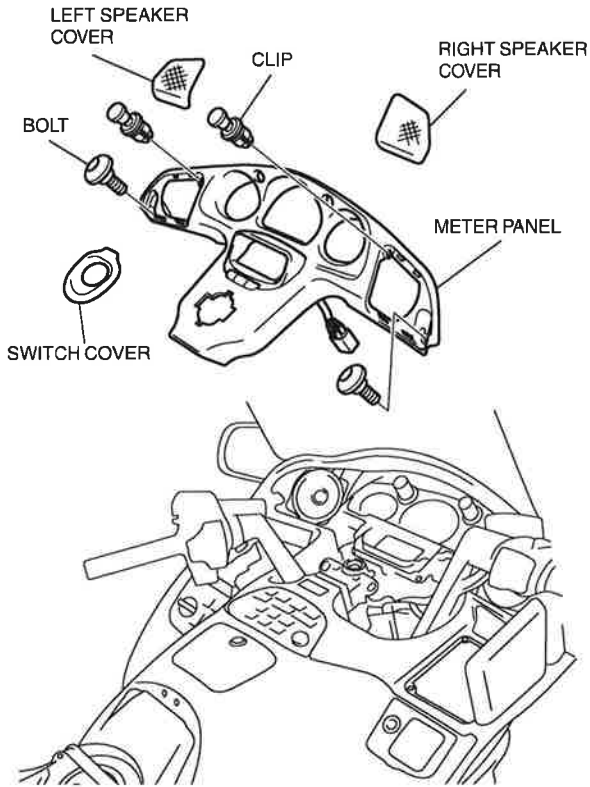


6. Disconnect the connectors as shown.

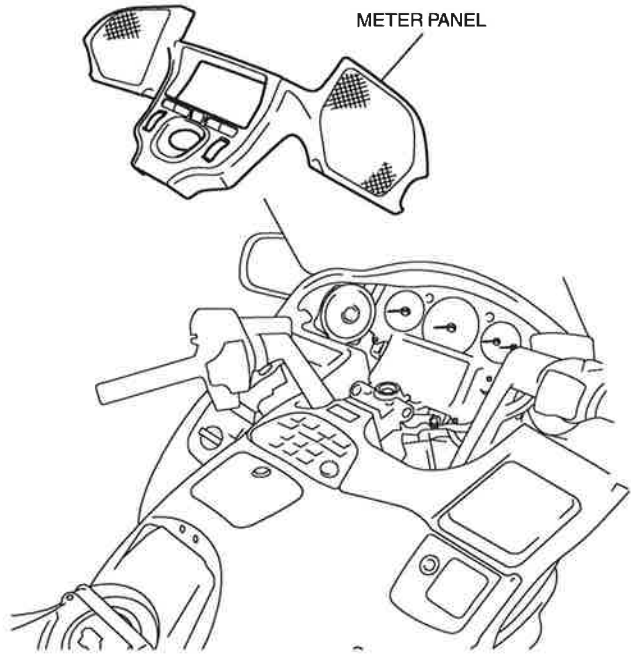
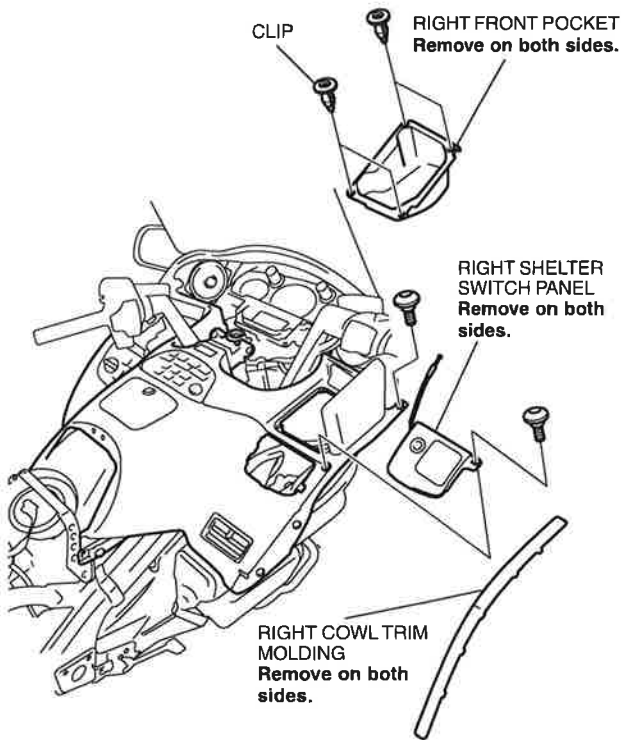


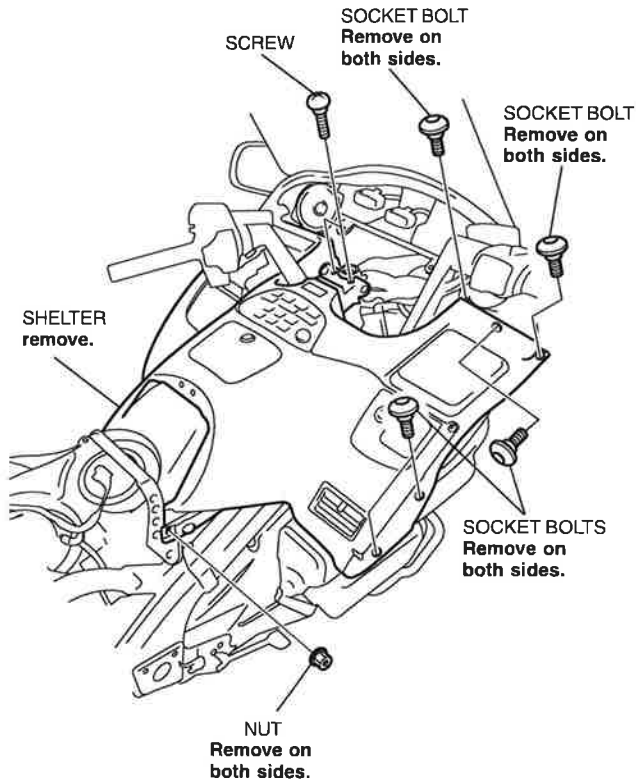
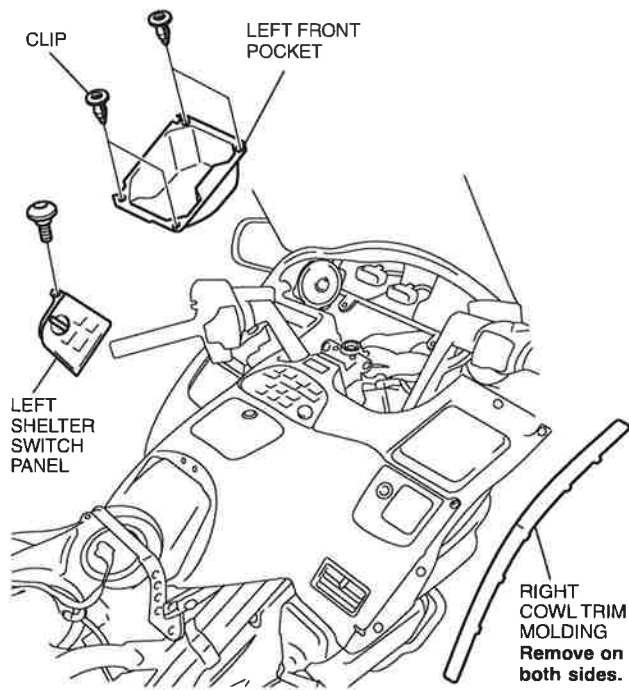
7. Remove the following parts. Refer to the Service Manual for specific removal instructions.

**'01 - '05 model:**

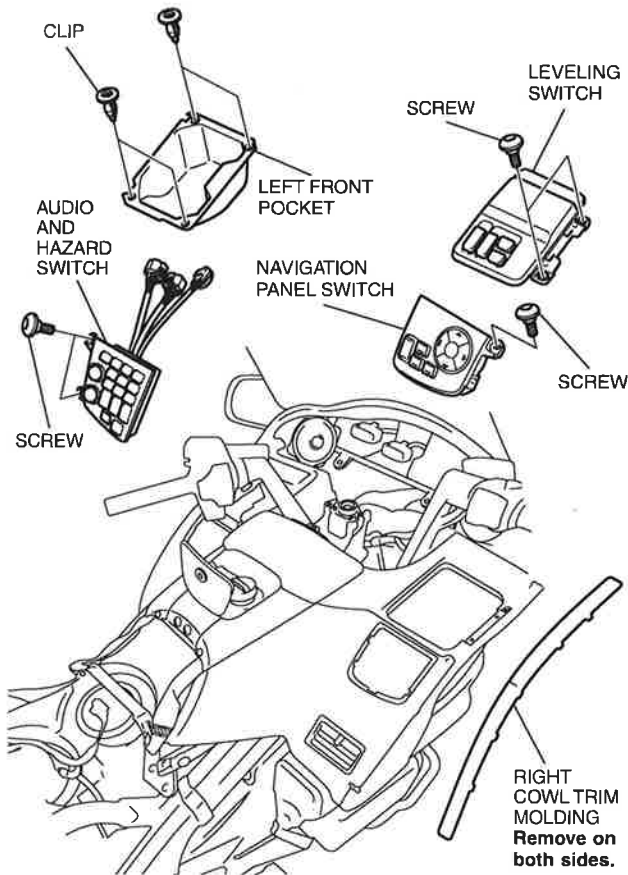
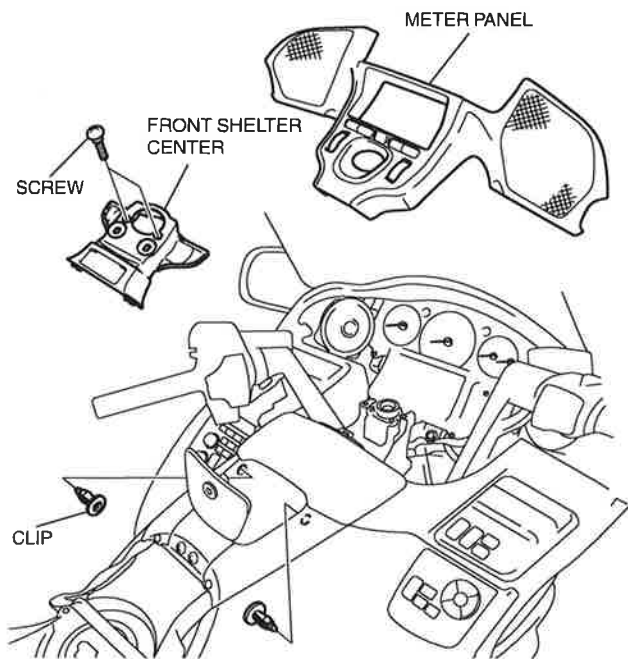


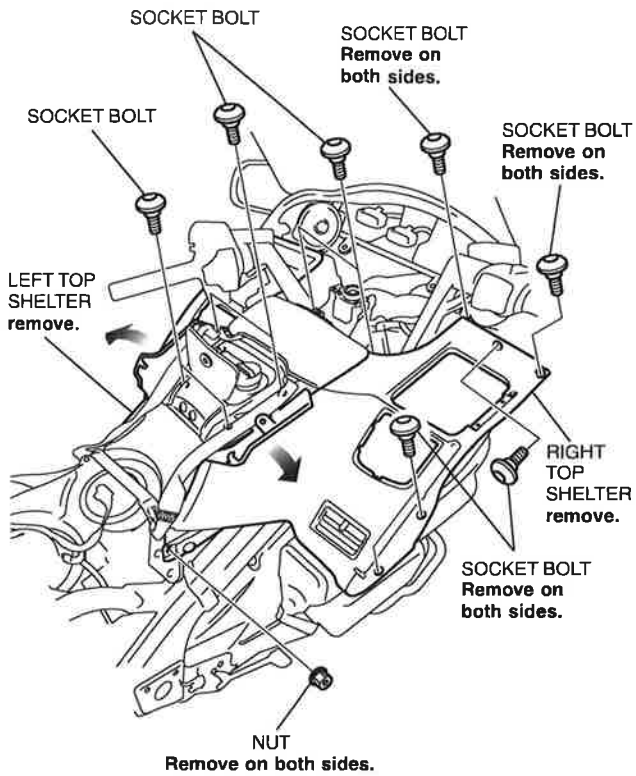
**After '05 model:**



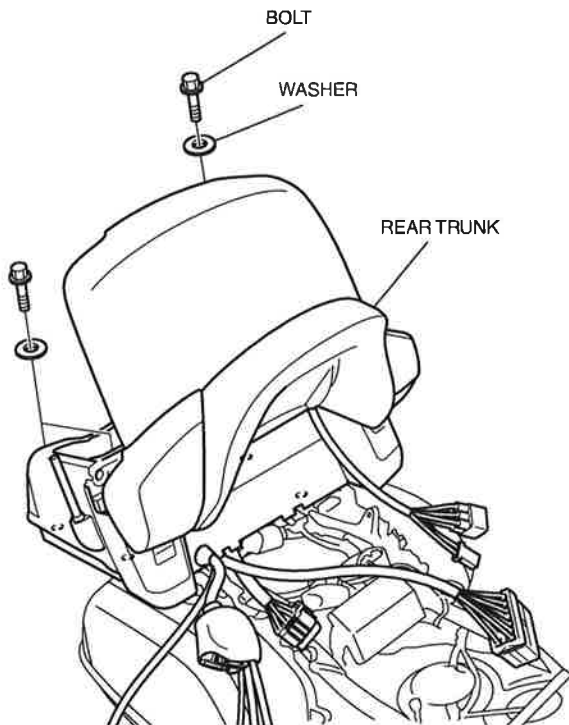


**Airbag model:**

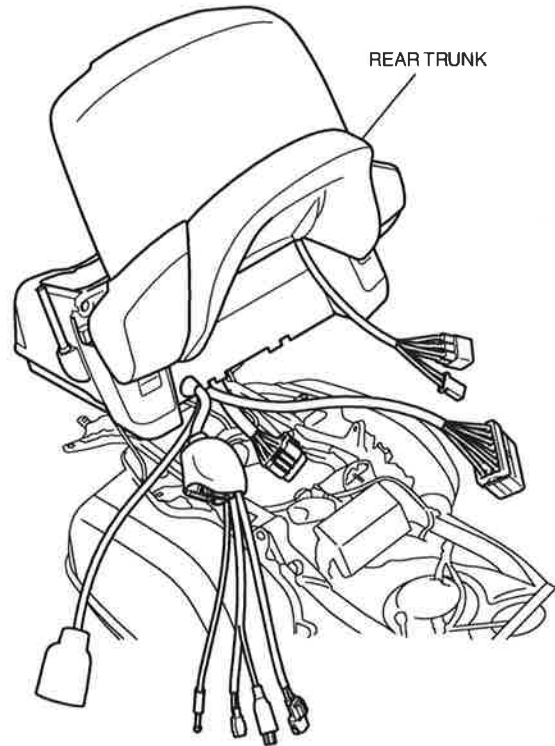




8. Remove the bolts and washers.

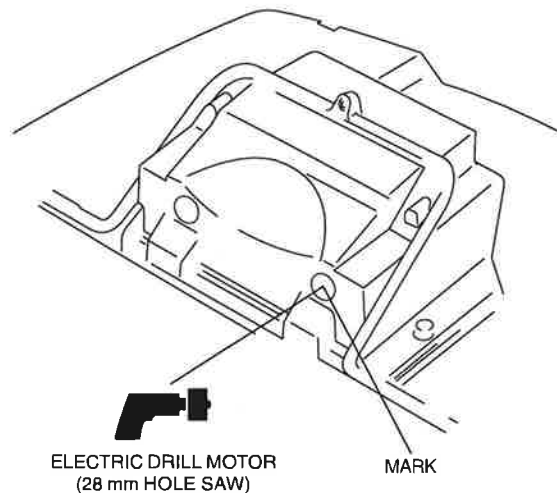


9. Remove the rear trunk as indicated in the Service Manual.



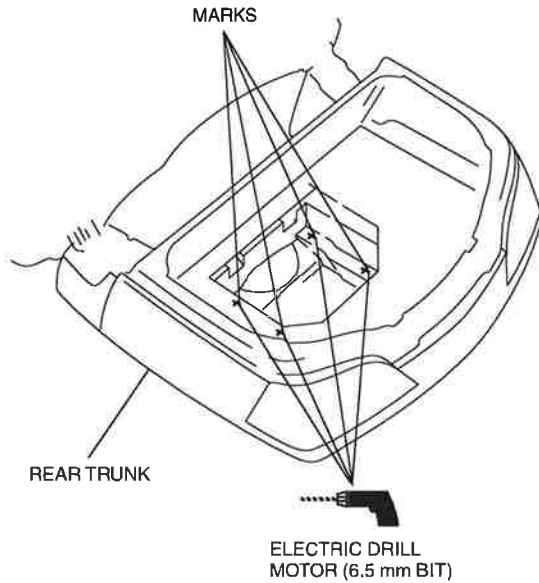
10. Locate the mark on the back of the trunk. Drill a 28 mm hole through the mark using an electric drill motor and a hole saw.

- Remove any burrs from the edge of the holes.

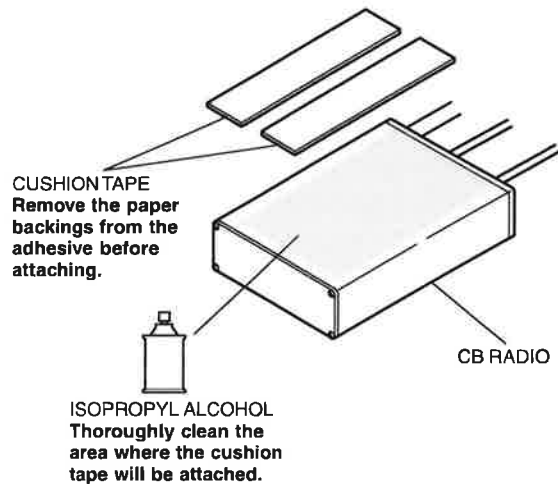




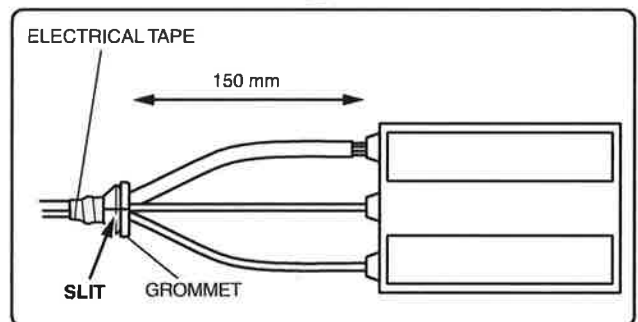
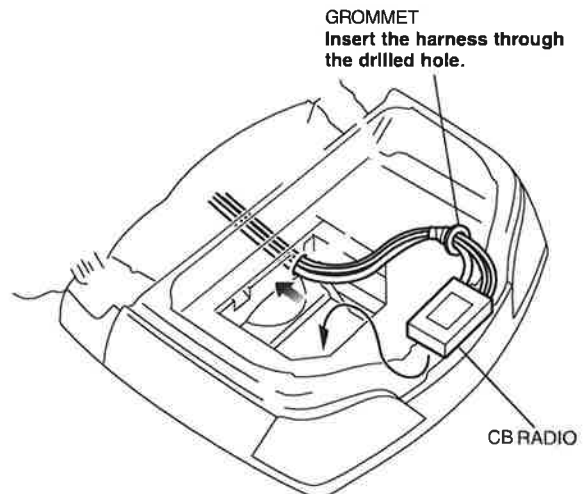
11. Locate the four marks inside the rear trunk. Drill a 6.5 mm hole through each mark.
- Do not drill the 6.5 mm holes if you are installing the CD changer.
  - Remove any burrs from the edge of the holes.



12. Attach the cushion tape strips to the CB radio.

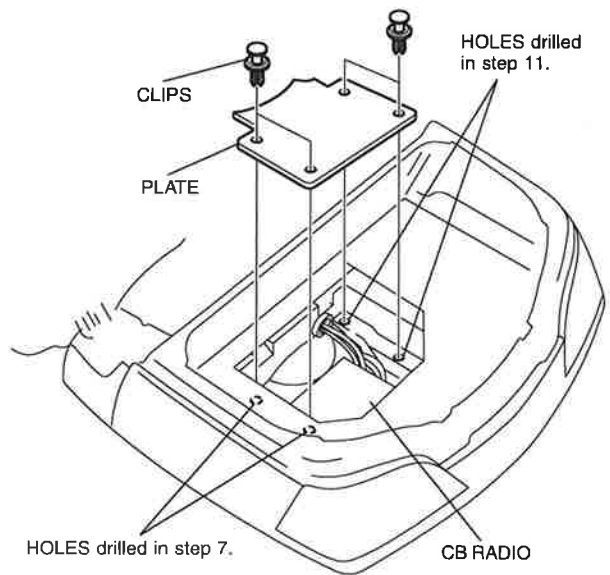


13. Install the CB radio in the rear trunk.



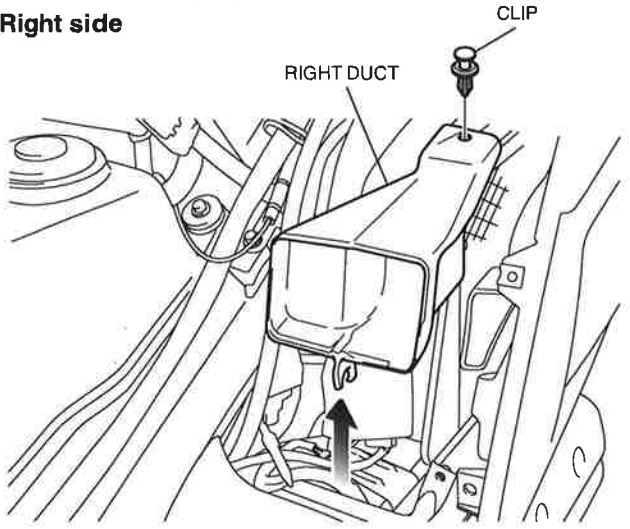
14. Install the plate on the rear trunk only if you are installing the CD changer.

15. Being careful not to pinch the wire harness, reinstall the trunk and the trunk lid.

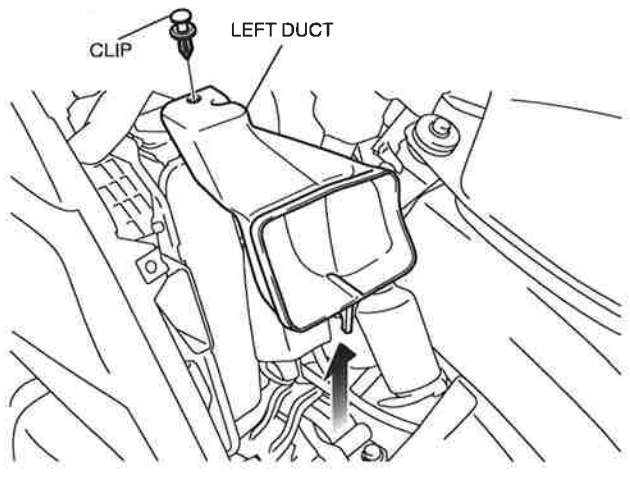


16. Remove the right and left ducts.  
 • For Airbag equipped models only.

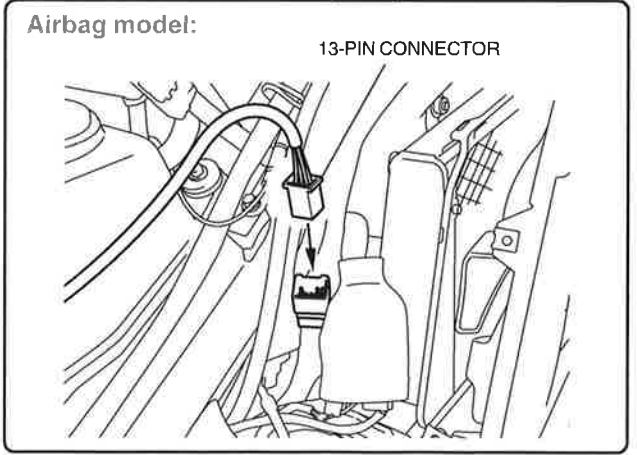
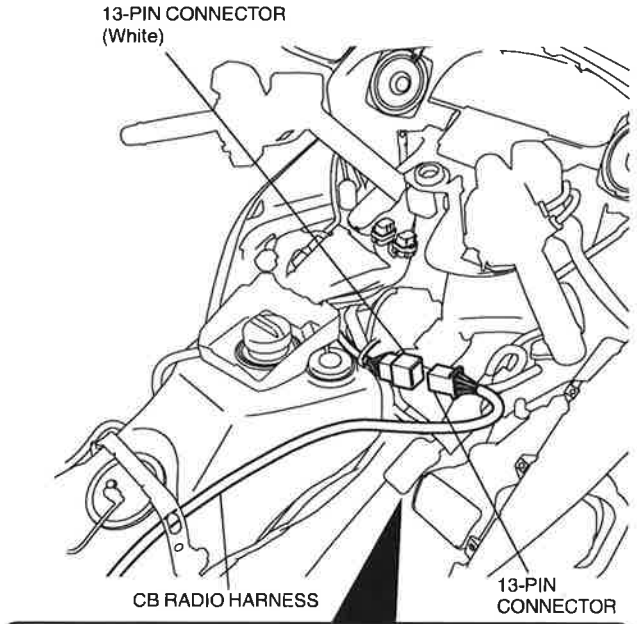
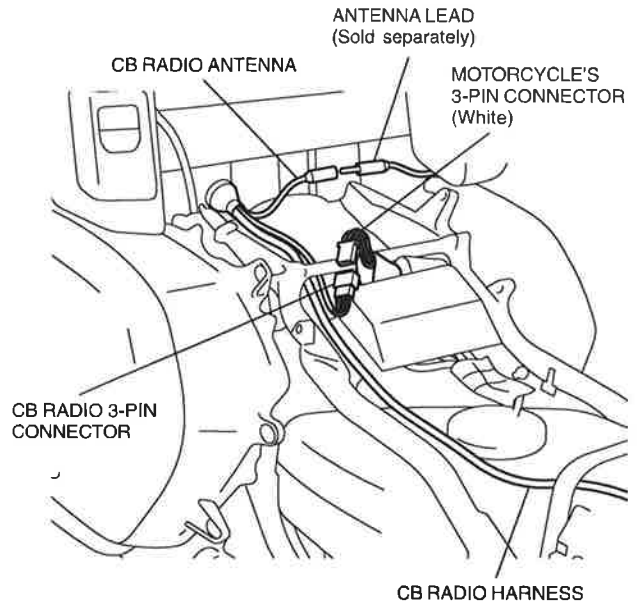
**Right side**



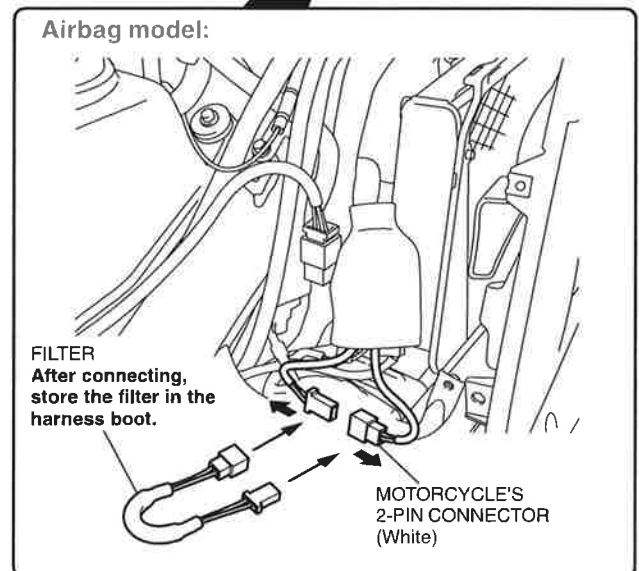
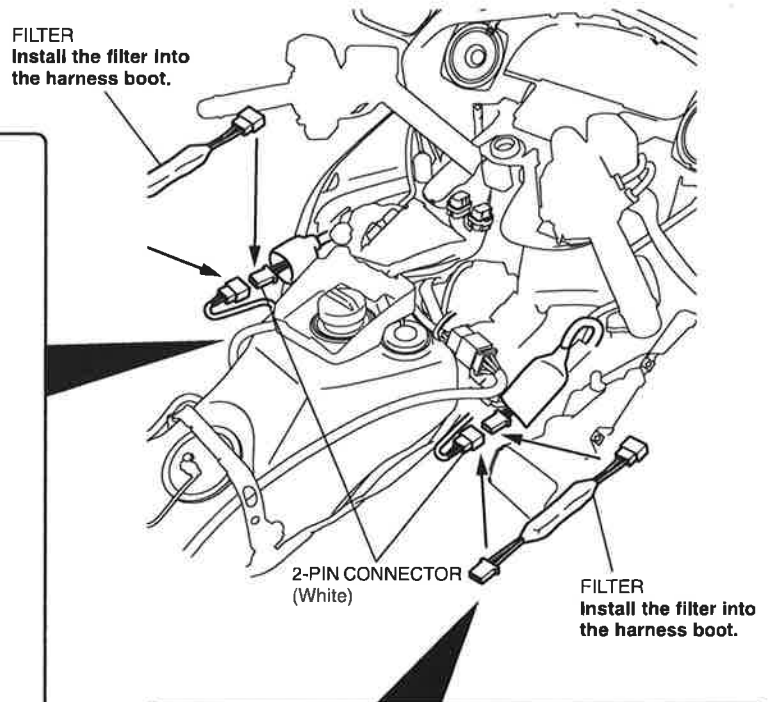
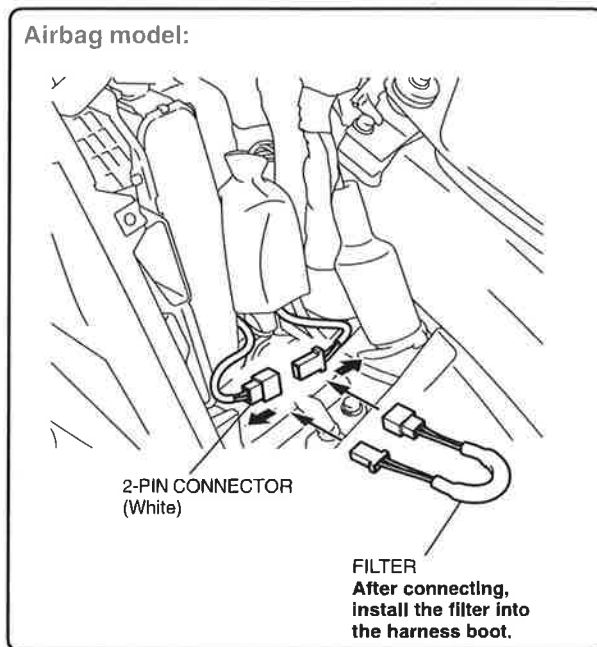
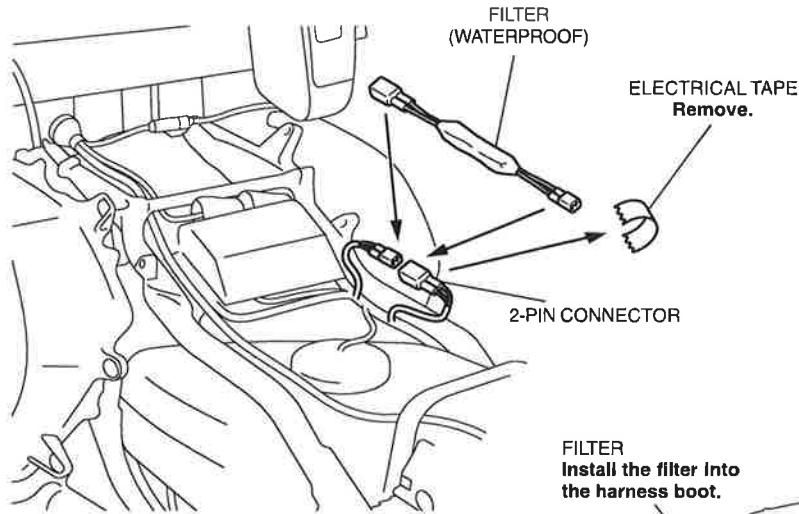
**Left side**



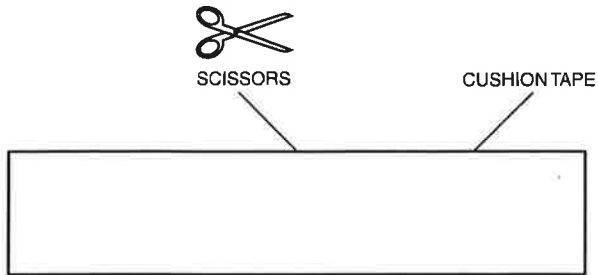
17. Route the CB radio harness as shown.



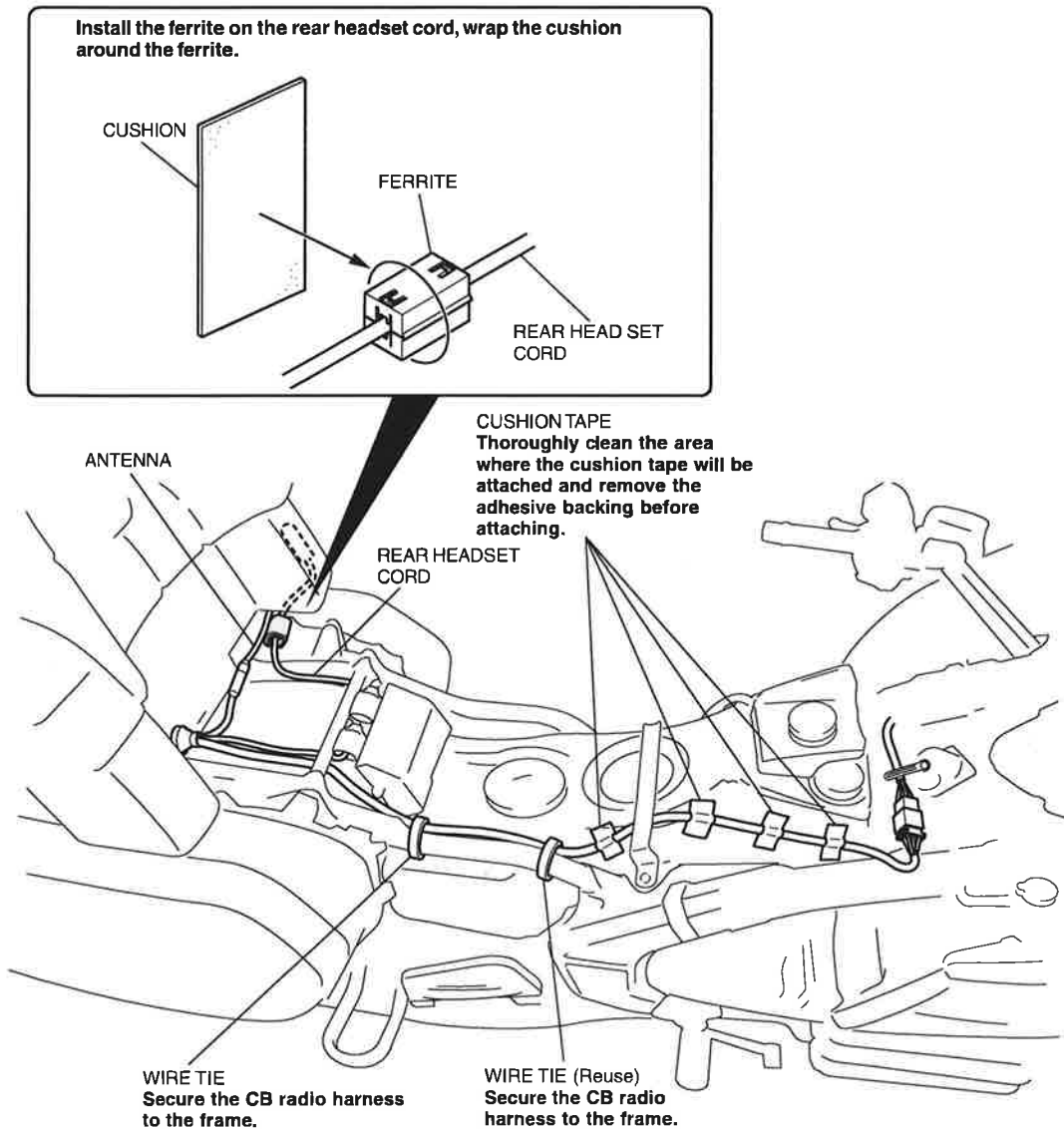
18. Connect the filter as shown.



19. Cut the two cushion tape in half.



20. Secure the wire harness with the wire ties and cushion tape in the area as shown.



21. Reconnect the negative cable to the battery.

22. Check full functionality and proper operations of the CB radio.

23. Being careful not to pinch the wire harness, reinstall the fuel tank cover, meter panel, side moldings, and the side covers.

24. Reinstall the seat in the reverse order of removal.