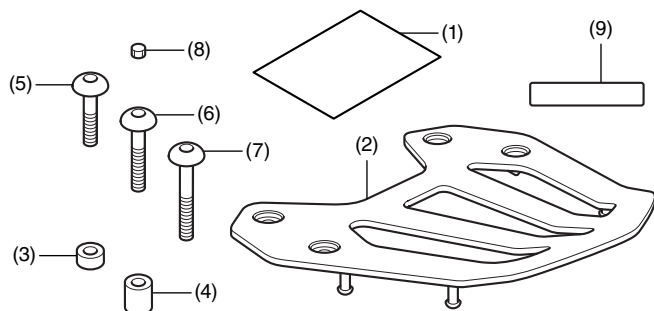


# HONDA

## INSTALLATION INSTRUCTIONS

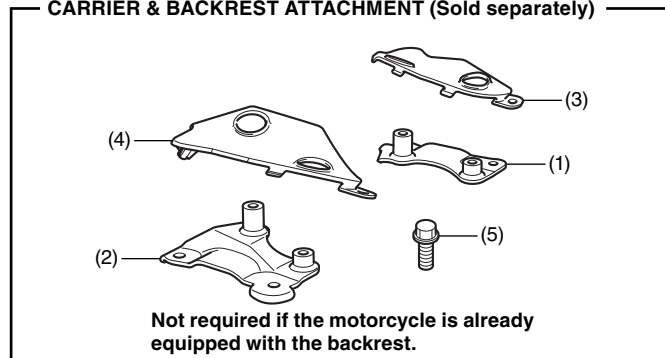
Accessory	Application	Publication No.
<b>REAR CARRIER P/N 08L70-MJG-670</b>	<b>GL1800B</b>	<b>MII 14360</b>
		Issue Date
		<b>December 2012</b>

### PARTS LIST



No.	Description	Qty
(1)	Installation Instruction URL	1
(2)	Carrier plate	1
(3)	Collar (short)	2
(4)	Collar (long)	2
(5)	8 mm socket bolt (short)	2
(6)	8 mm socket bolt (medium)	2
(7)	8 mm socket bolt (long)	2
(8)	Hex plug	4
(9)	Safety label	1

### CARRIER & BACKREST ATTACHMENT (Sold separately)



No.	Description	Qty
(1)	Right backrest stay	1
(2)	Left backrest stay	1
(3)	Right rear top lid	1
(4)	Left rear top lid	1
(5)	8 mm SH flange bolt	4

### TOOLS AND SUPPLIES REQUIRED

- Socket (10 mm)
- Ratchet
- Hex wrench (6 mm)
- Scale
- Isopropyl alcohol
- Shop towel
- Torque wrench

### TORQUE CHART

Tighten all screws, bolts, and nuts to their specified torque values. Refer to the Service Manual for the torque values of the removed parts.

Item	N·m	kgf·m	lbf·ft
8 mm socket bolt	22	2.2	16
8 mm SH flange bolt	27	2.8	20

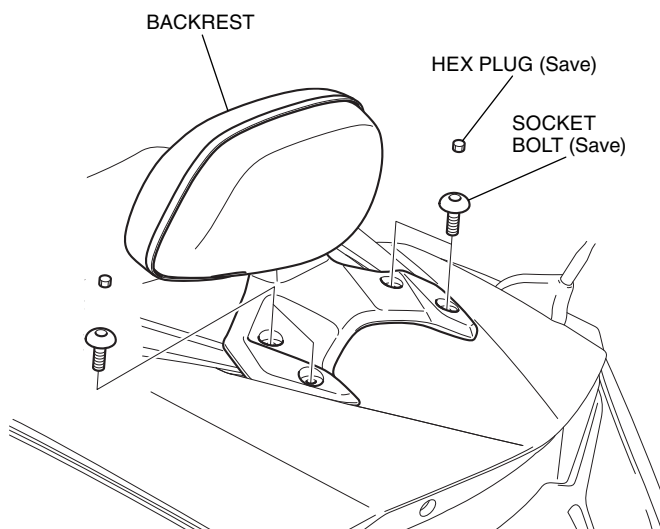
### INSTALLATION

#### NOTE:

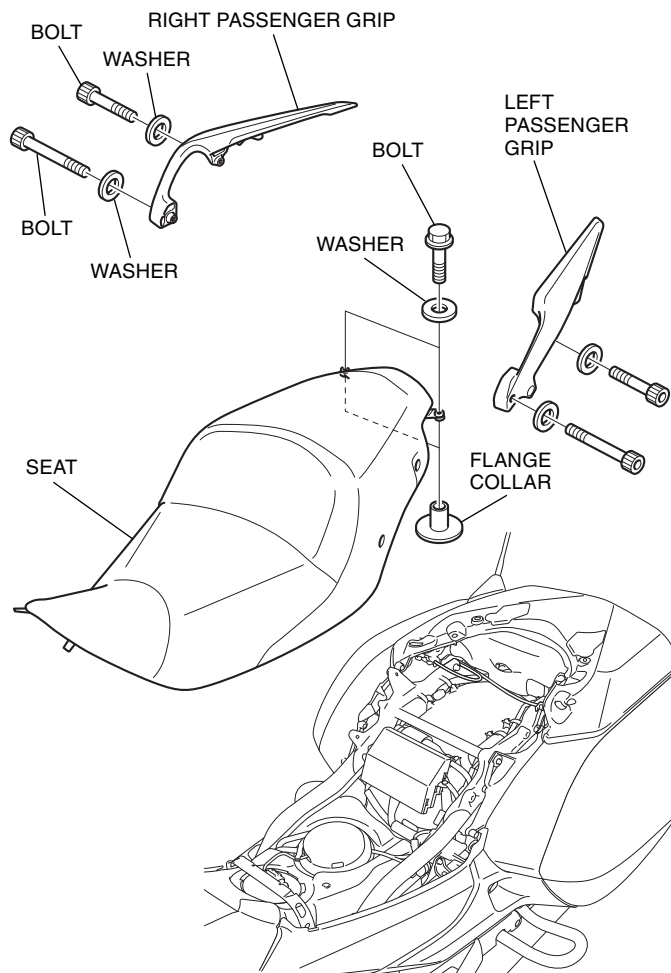
- This Carrier & Backrest Attachment is required for installation of this accessory.
- Steps 2 through 9 are not required if the motorcycle is already equipped with the Backrest.

#### 1. Remove the indicated parts.

- **This step is applicable only if the motorcycle is equipped with the Backrest.**

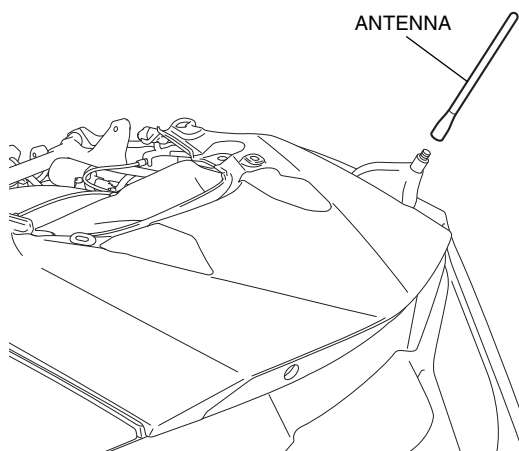


2. Remove the motorcycle's parts as shown.

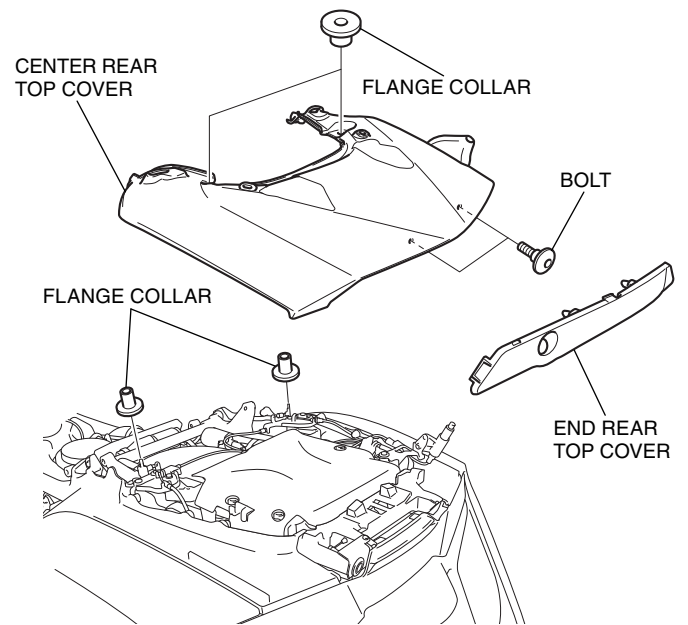


3. Remove the antenna as shown.

<Rear side>

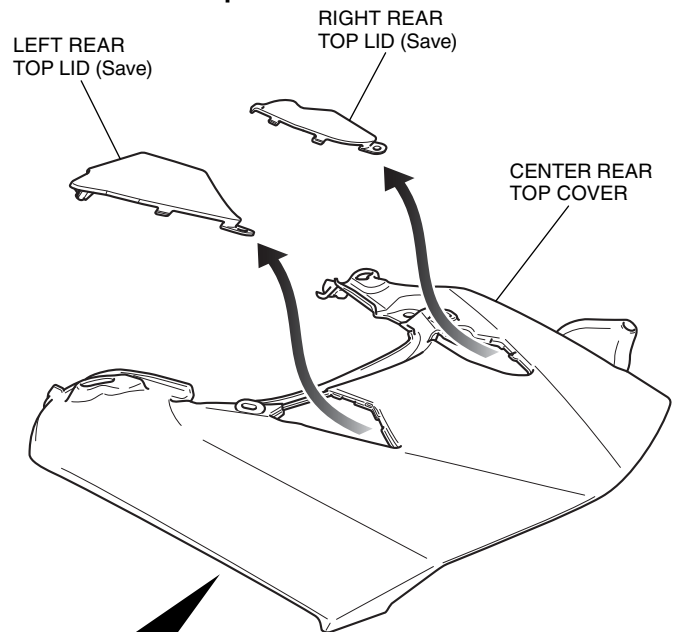


4. Remove the motorcycle's parts as shown.

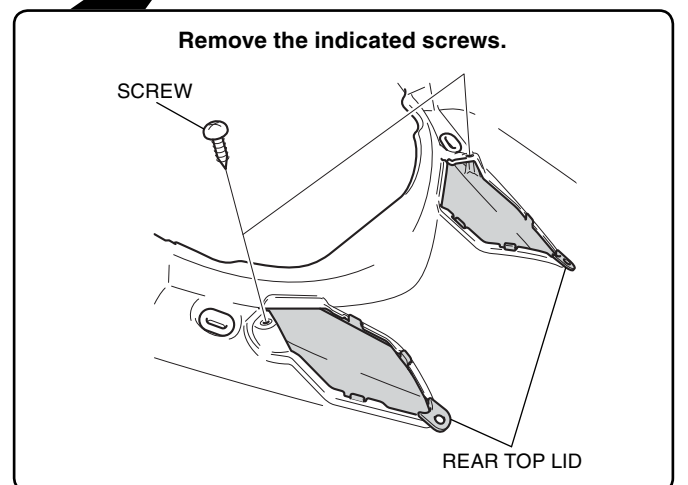


5. Remove the rear top lids as shown.

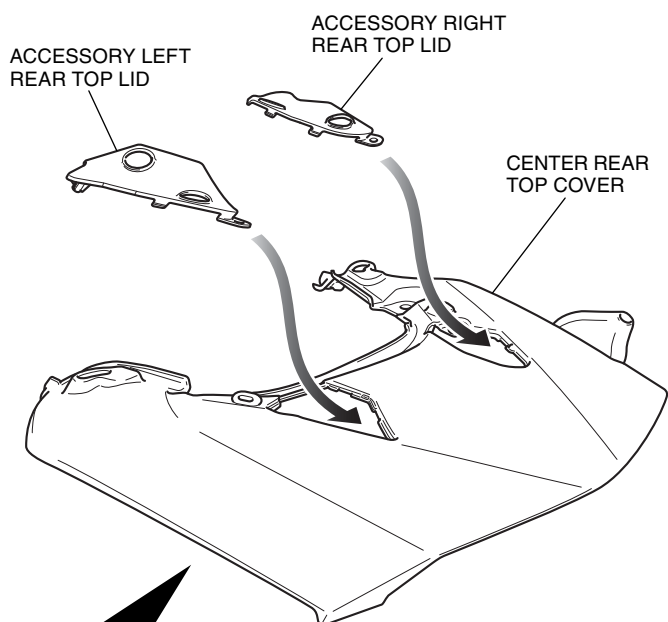
- Take care not to break the retaining tabs of the rear top lid.



Remove the indicated screws.

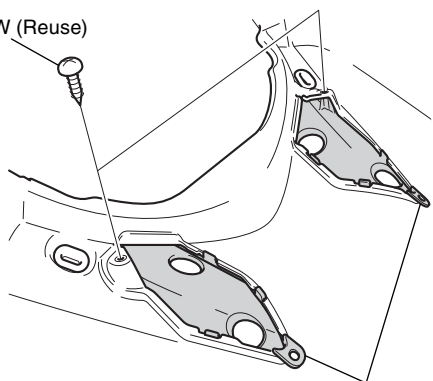


6. Install the accessory rear top lids as shown.

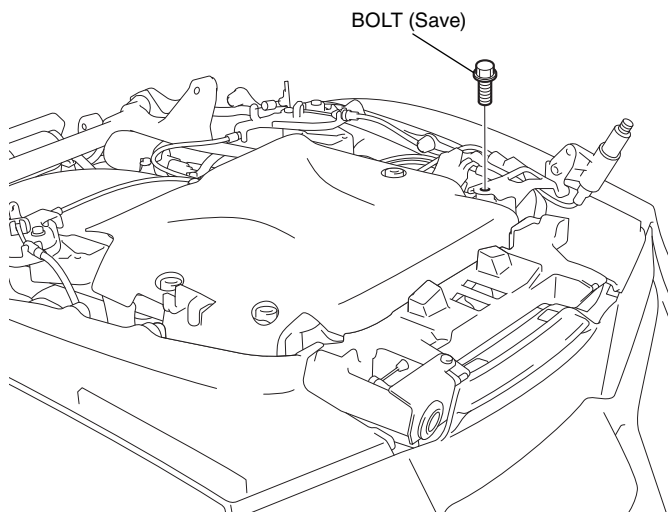


Install the screws as shown.

SCREW (Reuse)

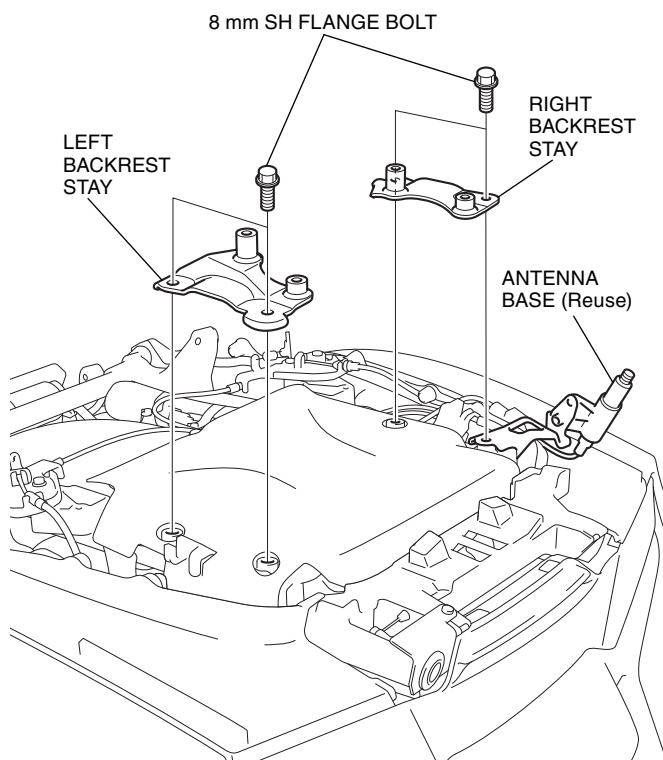


7. Remove the bolt as shown.



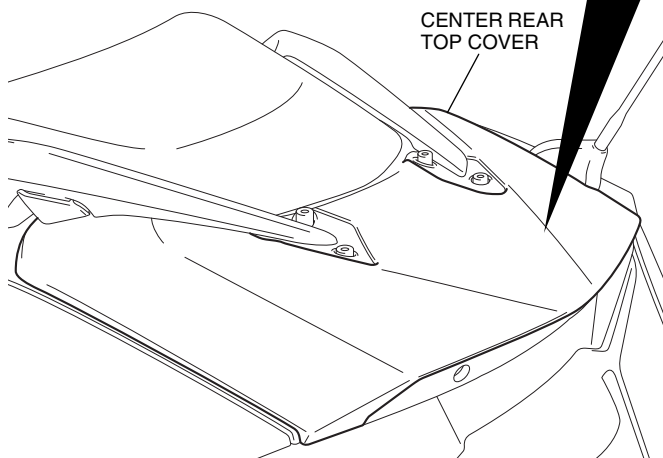
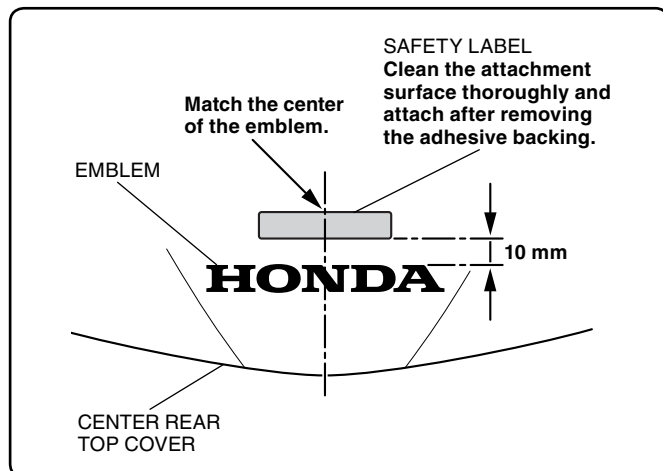
8. Install the backrest stays as shown.

<Rear side>



9. Install the motorcycle's parts in the reverse order of removal.

10. Attach the safety label in the position shown.



11. Install the carrier plate as shown.

